



SUBMITTAL DATA – OUTDOOR
UNIT MLA030S4M-1P
MULTI-ZONE MINI-SPLIT HEAT PUMP

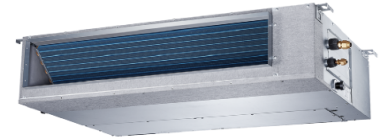
Job: _____
Location: _____
Schedule No.: _____
System Designation: _____

Engineer: _____
Architect: _____
Date: _____
For: Reference Approval Review Construction

FEATURES

Outdoor Unit: MLA030S4M-1P

Indoor Unit Options: Ducted OR Non-Ducted



- Low Ambient Cooling/Heating
- Defrost Control
- DC Inverter Control
- Base Pan Heater
- Crankcase Heater

Piping

Line Set and Elevation Guidelines

Maximum Number of Indoor Units/Zones	3
Liquid Line Set Diameter (in.)	(3) 1/4
Gas Line Set Diameter (in.)	(3) 3/8
Maximum Pipe Length ft. (m)	197 ft. (60 m)
Maximum Line Set Length - Furthest Indoor Unit	98 ft. (30 m)
Maximum Elevation - Outdoor Unit Below/Above Indoor Unit ft. (m)	49 ft. (15m)
Pre-Charged (ft.)	25 ft.
Additional Charge of Refrigerant (oz/ft.)	0.16

PRODUCT WARRANTY

Compressor – Twelve year limited warranty*
 All other covered components - Twelve year limited warranty*
 *Product registration required

OPTIONAL ACCESSORIES

Hail Guards (M9GARD17Q-1)
 Mini-Split IDU Controls Wiring Harness (19P86)*
 *Required for BACnet & Lennox VRF Manager (LVM)



NOTE – Due to Lennox' ongoing commitment to quality, Specifications, Ratings, and Dimensions are subject to change without notice and without incurring liability. Improper installation, adjustment, alteration, service or maintenance can cause property damage or personal injury. Installation and service must be performed by a qualified installer and servicing agency.



SUBMITTAL DATA – OUTDOOR UNIT MLA030S4M-1P MULTI-ZONE MINI-SPLIT HEAT PUMP

OUTDOOR SPECIFICATIONS

PERFORMANCE		
Cooling Capacity (Btu/h) ¹	Ducted	28,000
	Non-Ducted	28,000
EER	Ducted	11.0
	Non-Ducted	13.0
SEER	Ducted	21.0
	Non-Ducted	22.0
Heating Capacity (Btu/h) ¹	Ducted	28,400
	Non-Ducted	28,000
HSPF	Ducted	10.0
	Non-Ducted	10.4
Outdoor Fan Total Air Volume (CFM)		2355
Ambient Temperature Operating Range		
Cooling		-22 - 122°F
Heating		-22 - 86°F

ELECTRICAL DATA	
Power Supply (V/Hz/Φ)	208-230/60/1
Minimum Circuit Ampacity (A)	30
Maximum Overcurrent Protection (A)	45
Outdoor Fan Motor RLA (A)	1.3
Compressor RLA (A)	19
No. of Compressors	1

GENERAL DATA	
Connection Ratio (%)	66% to 133%
Max. # of Indoor Units	Up to 3 units
Sound Data (dBA) - Cooling/Heating	62.3/62.3
Refrigerant type	R-410A
Factory refrigerant charge	6 lbs. 10 oz.

DIMENSIONS		
Unit Dimensions (in)	Height	31-7/8
	Width	40-5/8
	Depth	16-5/8
Shipping Weight (lb)		168
Net Weight (lb)		157

- NOTES**
- Cooling and Heating Capacity data is rated at the following conditions:
 Cooling: 80°FDB / 67°FWB Indoor, 95°FDB Outdoor
 Heating: 70°FDB Indoor, 47°FDB / 43°FWB Outdoor

Multi-Zone System Combinations

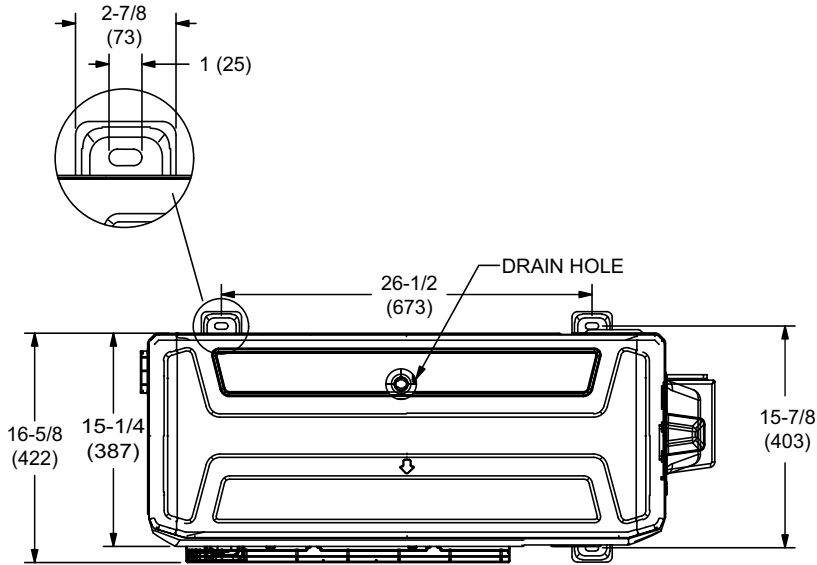
Outdoor Unit Model No.	Number of Zones	Indoor Unit Capacity					Nominal Cooling Capacity at Rated System Capacity (Btuh)					Nominal Heating Capacity at Rated System Capacity (Btuh)				
		#1	#2	#3	#4	#5	#1	#2	#3	#4	#5	#1	#2	#3	#4	#5
MLA030S4M	2	009	009	---	---	---	9,500	9,500	---	---	---	10,000	10,000	---	---	---
		009	012	---	---	---	9,500	12,000	---	---	---	10,000	13,000	---	---	---
		009	018	---	---	---	8,400	16,600	---	---	---	9,000	18,000	---	---	---
		009	024	---	---	---	8,000	21,000	---	---	---	9,000	24,000	---	---	---
		012	012	---	---	---	12,000	12,000	---	---	---	13,000	13,000	---	---	---
		012	018	---	---	---	10,000	15,000	---	---	---	12,000	18,000	---	---	---
		012	024	---	---	---	9,500	20,500	---	---	---	11,000	23,000	---	---	---
		018	018	---	---	---	15,000	15,000	---	---	---	17,000	17,000	---	---	---
	3	009	009	009	---	---	9,000	9,000	9,000	---	---	10,000	10,000	10,000	---	---
		009	009	012	---	---	8,667	8,667	11,667	---	---	9,500	9,500	12,000	---	---
		009	009	018	---	---	8,333	8,333	13,333	---	---	9,000	9,000	14,000	---	---
		009	012	012	---	---	8,500	10,000	10,000	---	---	8,500	11,500	11,500	---	---
		009	012	018	---	---	8,000	10,000	13,000	---	---	8,000	10,000	15,000	---	---
		012	012	012	---	---	10,000	10,000	10,000	---	---	10,667	10,667	10,667	---	---

NOTE – Due to Lennox' ongoing commitment to quality, Specifications, Ratings, and Dimensions are subject to change without notice and without incurring liability. Improper installation, adjustment, alteration, service or maintenance can cause property damage or personal injury. Installation and service must be performed by a qualified installer and servicing agency.

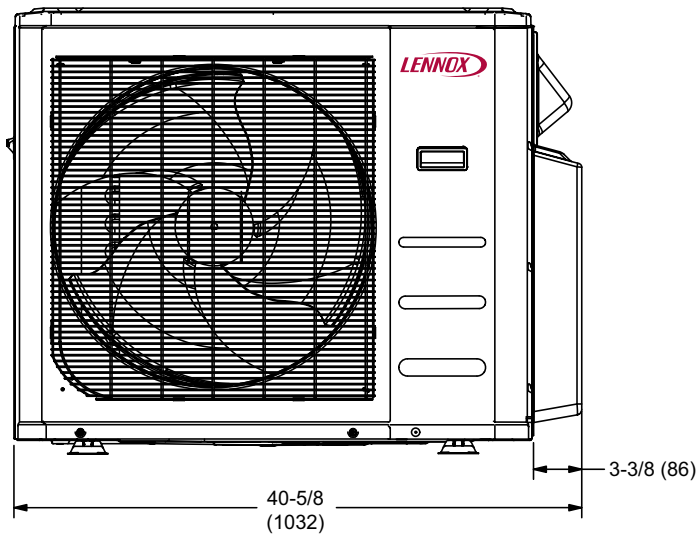


SUBMITTAL DATA – OUTDOOR
UNIT MLA030S4M-1P
MULTI-ZONE MINI-SPLIT HEAT PUMP

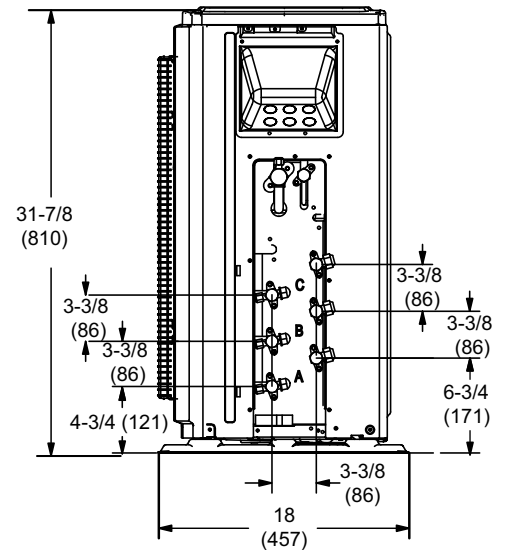
OUTDOOR DIMENSIONAL DRAWINGS - INCHES (MM)



TOP VIEW



FRONT VIEW



SIDE VIEW

NOTE – Due to Lennox' ongoing commitment to quality, Specifications, Ratings, and Dimensions are subject to change without notice and without incurring liability. Improper installation, adjustment, alteration, service or maintenance can cause property damage or personal injury. Installation and service must be performed by a qualified installer and servicing agency.