



# SUBMITTAL DATA – WALL MOUNTED

## MLB009S4S-1P – MWMC009S4-1P

SINGLE ZONE MINI-SPLIT HEAT PUMP

Job: \_\_\_\_\_  
 Location: \_\_\_\_\_  
 Schedule No.: \_\_\_\_\_  
 System Designation: \_\_\_\_\_

Engineer: \_\_\_\_\_  
 Architect: \_\_\_\_\_  
 Date: \_\_\_\_\_  
 For:  Reference  Approval  Review  Construction

### FEATURES

Outdoor Unit: MLB009S4S-1P



- DC Inverter Control
- Compressor Overcurrent Protection
- Base Dancer
- Defrost Control

Indoor Unit: MWMC009S4-1P



- Pre-Heat Function
- Auto Restart
- Three Selectable Fan Speeds
- Flare Connections
- LED Readout
- Multi-Refrigerant Outlet
- Wireless Remote Included

### PIPING

Line Set and Elevation Guidelines	
Maximum Line Set Length ft. (m)	98 (30)
Maximum Elevation - Outdoor Unit Below/Above Indoor Unit ft. (m)	66 (20)
Liquid Line Set Diameter (in.)	1/4
Gas Line Set Diameter (in.)	3/8
Pre-Charged (ft.)	25
Additional Charge of Refrigerant (oz/ft.)	0.16

### PRODUCT WARRANTY

Compressor – Twelve year limited warranty\*  
 All other covered components - Twelve year limited warranty\*  
 \*Product registration required

### OPTIONAL ACCESSORIES

Non-Programmable Controller (M0STAT61Q-1)  
 Programmable Controller (M0STAT64Q-2)



NOTE – Due to Lennox' ongoing commitment to quality, Specifications, Ratings, and Dimensions are subject to change without notice and without incurring liability. Improper installation, adjustment, alteration, service or maintenance can cause property damage or personal injury. Installation and service must be performed by a qualified installer and servicing agency.



# SUBMITTAL DATA – WALL MOUNTED

## MLB009S4S-1P – MWMC009S4-1P

### SINGLE ZONE MINI-SPLIT HEAT PUMP

#### OUTDOOR SPECIFICATIONS

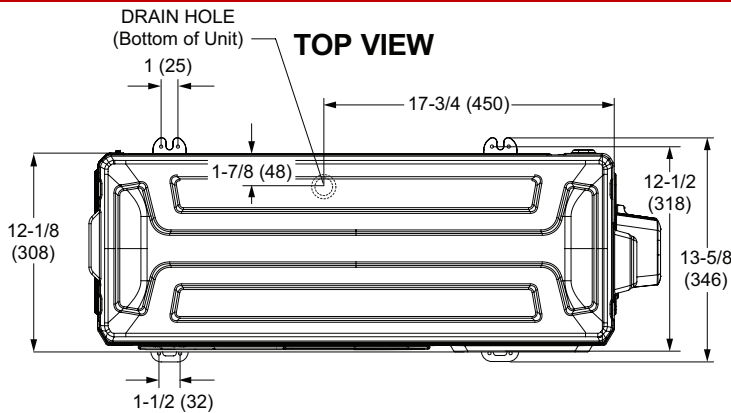
PERFORMANCE	
Cooling Capacity (Max/Min) (Btu/h) <sup>1</sup>	9,000 (14,300/3,300)
EER	16.2
SEER	28.1
Heating Capacity (Max/Min) (Btu/h) <sup>1</sup>	11,800 (15,200/5,000)
HSPF	12.5
Outdoor Fan Total Air Volume (CFM)	1,120
Ambient Temperature Operating Range	
Cooling	-22°F - 122°F
Heating	-22°F - 86°F
ELECTRICAL DATA	
Power Supply (V/Hz/Φ)	208-230/60/1
Minimum Circuit Ampacity (A)	15
Maximum Overcurrent Protection (A)	15
Outdoor Fan Motor RLA (A)	0.4
No. of Compressors	1

GENERAL DATA		
Connection Ratio (%)	100%	
Max. # of Indoor Units	1 unit	
Sound Data (dBA) - Cooling/Heating	54.5/54.5	
Refrigerant type	R-410A	
Factory refrigerant charge	2 lbs. 9 oz.	
DIMENSIONS		
Unit Dimensions (in)	Height	21-7/8
	Width	34-3/8
	Depth	12-1/8
Shipping Weight (lb)	80	
Net Weight (lb)	74	

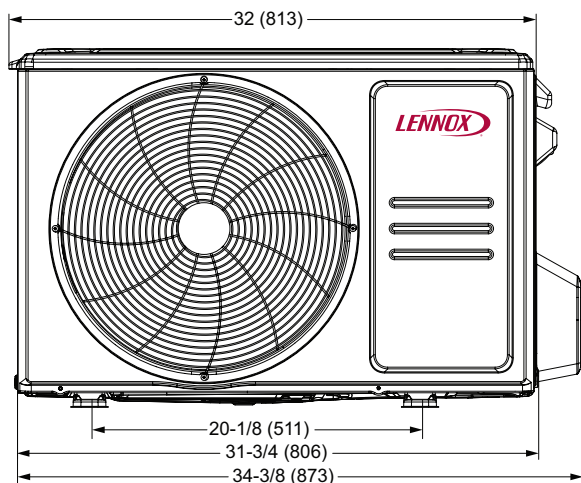
**NOTES**

1. Cooling and Heating Capacity data is rated at the following conditions:  
 Cooling: 80°FDB / 67°FWB Indoor, 95°FDB Outdoor  
 Heating: 70°FDB Indoor, 47°FDB / 43°FWB Outdoor

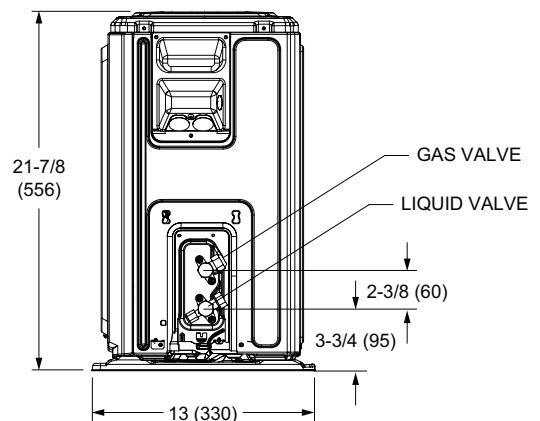
#### OUTDOOR DIMENSIONAL DRAWINGS - INCHES (MM)



**FRONT VIEW**



**SIDE VIEW**



NOTE – Due to Lennox' ongoing commitment to quality, Specifications, Ratings, and Dimensions are subject to change without notice and without incurring liability. Improper installation, adjustment, alteration, service or maintenance can cause property damage or personal injury. Installation and service must be performed by a qualified installer and servicing agency.



# SUBMITTAL DATA – WALL MOUNTED

## MLB009S4S-1P – MWMC009S4-1P

### SINGLE ZONE MINI-SPLIT HEAT PUMP

#### INDOOR SPECIFICATIONS

PERFORMANCE		
AIR FLOW (CFM)	High	335
	Medium	230
	Low	176
SOUND PRESSURE (dBA)	High	38
	Medium	34
	Low	23

DIMENSIONS		
Unit Dimensions (in)	Height	11-3/4
	Width	33-3/8
	Depth	9
Shipping Weight (lb)		23
Net Weight (lb)		29

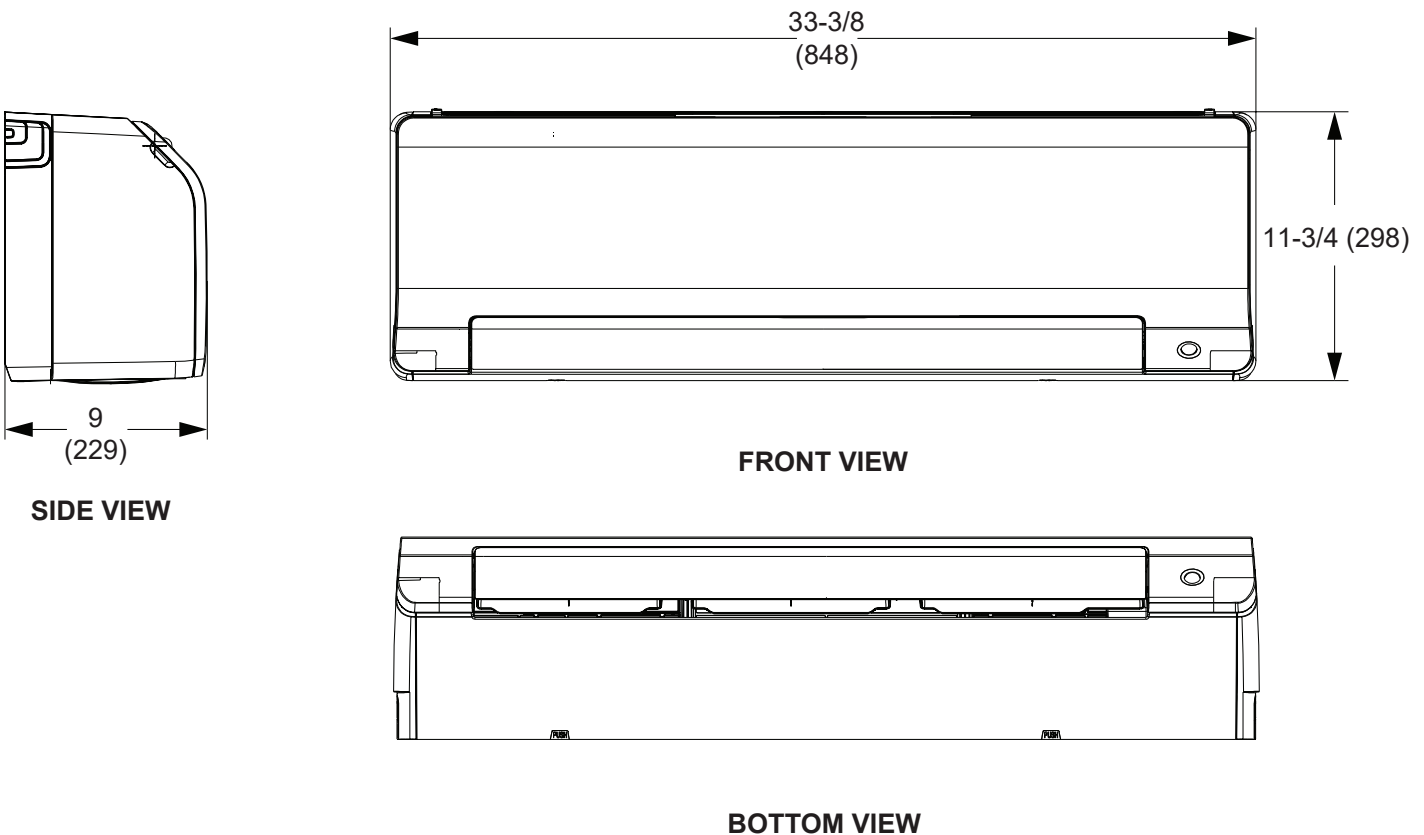
#### ELECTRICAL DATA

Power Supply (V/Hz/Φ)	Supplied by ODU
Rated Load Amps (RLA)	0.25
Power Output (W)	20

**NOTES**

1. Cooling and Heating Capacity data is rated at the following conditions:  
 Cooling: 80°FDB / 67°FWB Indoor, 95°FDB Outdoor  
 Heating: 70°FDB Indoor, 47°FDB / 43°FWB Outdoor

#### INDOOR DIMENSIONAL DRAWINGS - INCHES (MM)



NOTE – Due to Lennox' ongoing commitment to quality, Specifications, Ratings, and Dimensions are subject to change without notice and without incurring liability. Improper installation, adjustment, alteration, service or maintenance can cause property damage or personal injury. Installation and service must be performed by a qualified installer and servicing agency.