



SUBMITTAL DATA – CEILING CASSETTE  
**MLB012S4S-1P – M22A012S4-2P**  
 SINGLE ZONE MINI-SPLIT HEAT PUMP

**Job:** \_\_\_\_\_  
**Location:** \_\_\_\_\_  
**Schedule No.:** \_\_\_\_\_  
**System Designation:** \_\_\_\_\_

**Engineer:** \_\_\_\_\_  
**Architect:** \_\_\_\_\_  
**Date:** \_\_\_\_\_  
**For:**  Reference  Approval  Review  Construction

**FEATURES**

**Outdoor Unit: MLB012S4S-1P**

**Indoor Unit: M22A012S4-2P**



- DC Inverter Control
- Compressor Overcurrent Protection
- Base Dancer
- Defrost Control

- 360 Airflow Panel
- Pre Heat Function
- Auto Restart
- Built-In Condensate Pump
- Three Selectable Fan Speeds
- Flare Connections
- LED Readout/Infrared Receiver Panel
- Wireless Remote Included

**PIPING**

**Line Set and Elevation Guidelines**

Maximum Line Set Length ft. (m)	30 (9.1)
Maximum Elevation - Outdoor Unit Below/Above Indoor Unit ft. (m)	10 (3.0)
Liquid Line Set Diameter (in.)	1/4
Gas Line Set Diameter (in.)	1/2
Pre-Charged (ft.)	25
Additional Charge of Refrigerant (oz/ft.)	0.16

**PRODUCT WARRANTY**

Compressor – Twelve year limited warranty\*  
 All other covered components - Twelve year limited warranty\*  
 \*Product registration required

**OPTIONAL ACCESSORIES**

Non-Programmable Controller (M0STAT61Q-1)  
 Programmable Controller (M0STAT64Q-2)



NOTE – Due to Lennox' ongoing commitment to quality, Specifications, Ratings, and Dimensions are subject to change without notice and without incurring liability. Improper installation, adjustment, alteration, service or maintenance can cause property damage or personal injury. Installation and service must be performed by a qualified installer and servicing agency.



# SUBMITTAL DATA - CEILING **CASSETTE**

## **MLB012S4S-1P - M22A012S4-2P**

### SINGLE ZONE MINI-SPLIT HEAT PUMP

#### OUTDOOR SPECIFICATIONS

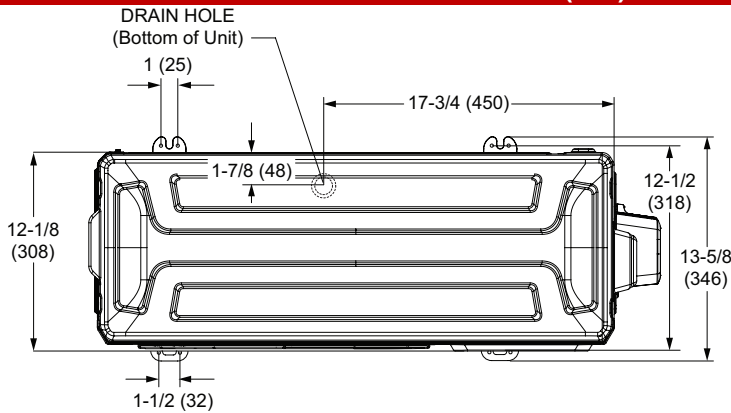
PERFORMANCE	
Cooling Capacity (Min/Max) (Btu/h) <sup>1</sup>	12,000 (3,000/13,700)
EER	12.7
SEER	21.5
Heating Capacity (Min/Max) (Btu/h) <sup>1</sup>	12,000 (2,000/15,300)
HSPF	10.6
Outdoor Fan Total Air Volume (CFM)	1,180
Ambient Temperature Operating Range	
Cooling	-13°F - 122°F
Heating	-13°F - 86°F
ELECTRICAL DATA	
Power Supply (V/Hz/Φ)	208-230/60/1
Minimum Circuit Ampacity (A)	15
Maximum Overcurrent Protection (A)	15
Outdoor Fan Motor RLA (A)	0.40
No. of Compressors	1

GENERAL DATA	
Connection Ratio (%)	100%
Max. # of Indoor Units	1 unit
Sound Data (dBA) - Cooling/Heating	56/56
Refrigerant type	R-410A
Factory refrigerant charge	2 lbs. 9 oz.
DIMENSIONS	
Unit Dimensions (in)	Height 21-7/8
	Width 34-3/8
	Depth 12-1/8
Shipping Weight (lb)	80
Net Weight (lb)	74

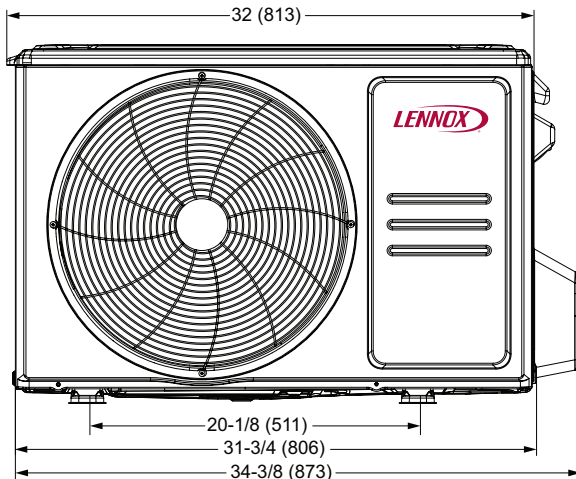
**NOTES**

1. Cooling and Heating Capacity data is rated at the following conditions:  
 Cooling: 80°FDB / 67°FWB Indoor, 95°FDB Outdoor  
 Heating: 70°FDB Indoor, 47°FDB / 43°FWB Outdoor

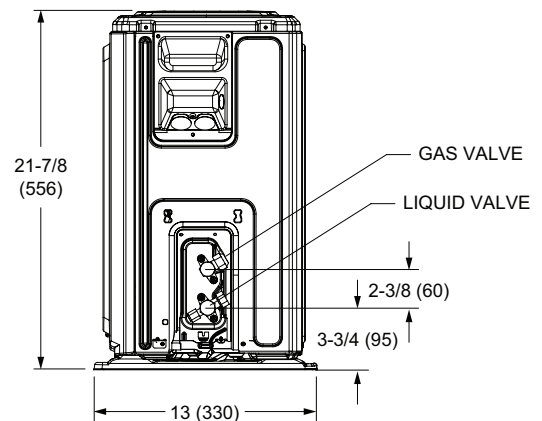
#### OUTDOOR DIMENSIONAL DRAWINGS - INCHES (MM)



**TOP VIEW**



**FRONT VIEW**



**SIDE VIEW**

NOTE - Due to Lennox' ongoing commitment to quality, Specifications, Ratings, and Dimensions are subject to change without notice and without incurring liability. Improper installation, adjustment, alteration, service or maintenance can cause property damage or personal injury. Installation and service must be performed by a qualified installer and servicing agency.



# SUBMITTAL DATA - CEILING CASSETTE

## MLB012S4S-1P - M22A012S4-2P

### SINGLE ZONE MINI-SPLIT HEAT PUMP

#### INDOOR SPECIFICATIONS

##### PERFORMANCE

Airflow (CFM)	High	380
	Medium	310
	Low	260
Sound Pressure (dBA)	High	43
	Medium	39
	Low	36

##### ELECTRICAL DATA

Power Supply (V/Hz/Φ)	Supplied by ODU
Rated load amps (RLA)	1
Power Output (W)	46

##### DIMENSIONS

Unit Dimensions (in)	Height	10-3/8
	Width	21-1/2
	Depth	20-5/8

Unit Net/Shipping Weight (lb)	36/41
-------------------------------	-------

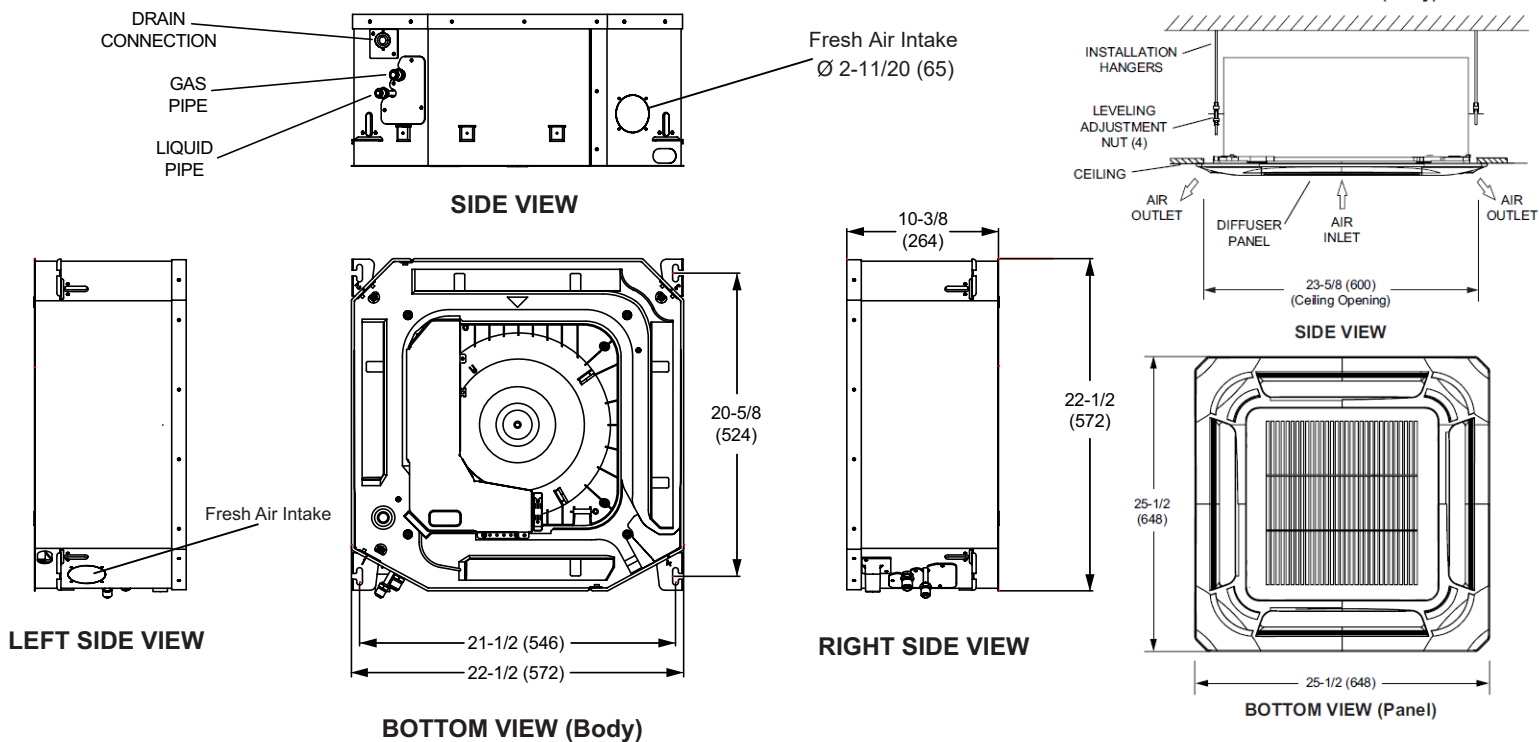
##### PIPING

Liquid/Gas O.D. Flare (in.)	1/4 , 1/2
Drain Connection O.D. (in.)	1

##### Required Component - Ordered Separately

Cassette Panel	13 x 04 (MOSTAT62Q-1)
Net/Shipping Weight (lb)	6/10

#### INDOOR DIMENSIONAL DRAWINGS - INCHES (MM)



NOTE - Due to Lennox' ongoing commitment to quality, Specifications, Ratings, and Dimensions are subject to change without notice and without incurring liability. Improper installation, adjustment, alteration, service or maintenance can cause property damage or personal injury. Installation and service must be performed by a qualified installer and servicing agency.