



SUBMITTAL DATA – OUTDOOR
UNIT **MLB018S4M-1P**
MULTI-ZONE MINI-SPLIT HEAT PUMP

Job: _____
Location: _____
Schedule No.: _____
System Designation: _____

Engineer: _____
Architect: _____
Date: _____
For: Reference Approval Review Construction

FEATURES

Outdoor Unit: MLB018S4M-1P

Indoor Unit Options: Ducted OR Non-Ducted



- Low Ambient Cooling/Heating
- Defrost Control
- DC Inverter Control
- Base Pan Heater
- Crankcase Heater



Piping

Line Set and Elevation Guidelines

Maximum Number of Indoor Units/Zones	2
Liquid Line Set Diameter (in.)	(2) 1/4
Gas Line Set Diameter (in.)	(2) 3/8
Maximum Pipe Length ft. (m)	131 ft. (40 m)
Maximum Line Set Length - Furthest Indoor Unit	82 ft. (25 m)
Maximum Elevation - Outdoor Unit Below/Above Indoor Unit ft. (m)	49 ft. (15m)
Pre-Charged (ft.)	25 ft.
Additional Charge of Refrigerant (oz/ft.)	0.16

PRODUCT WARRANTY

Compressor – Twelve year limited warranty*
 All other covered components - Twelve year limited warranty*
 *Product registration required

OPTIONAL ACCESSORIES

Non-Programmable Controller (M0STAT61Q-1)
 Programmable Controller (M0STAT64Q-2)



NOTE – Due to Lennox' ongoing commitment to quality, Specifications, Ratings, and Dimensions are subject to change without notice and without incurring liability. Improper installation, adjustment, alteration, service or maintenance can cause property damage or personal injury. Installation and service must be performed by a qualified installer and servicing agency.



SUBMITTAL DATA – OUTDOOR UNIT **MLB018S4M-1P** MULTI-ZONE MINI-SPLIT HEAT PUMP

OUTDOOR SPECIFICATIONS

PERFORMANCE		
Cooling Capacity (Btu/h) ¹	Ducted	18,500
	Non-Ducted	19,000
EER	Ducted	11.5
	Non-Ducted	12.5
SEER	Ducted	19.0
	Non-Ducted	22.0
Heating Capacity (Btu/h) ¹	Ducted	19,000
	Non-Ducted	20,000
HSPF	Ducted	9.8
	Non-Ducted	10.2
Outdoor Fan Total Air Volume (CFM)		2130
Ambient Temperature Operating Range		
Cooling		-22 - 122°F
Heating		-22 - 86°F
ELECTRICAL DATA		
Power Supply (V/Hz/Φ)		208-230/60/1
Minimum Circuit Ampacity (A)		20.0
Maximum Overcurrent Protection (A)		25.0
Outdoor Fan Motor RLA (A)		0.9
No. of Compressors		1

GENERAL DATA	
Connection Ratio (%)	66% to 133%
Max. # of Indoor Units	Up to 2 units
Sound Data (dBA) - Cooling/Heating	61/61
Refrigerant type	R-410A
Factory refrigerant charge	5 lbs. 11 oz.

DIMENSIONS		
Unit Dimensions (in)	Height	31-7/8
	Width	40-5/8
	Depth	16-5/8
Shipping Weight (lb)		149
Net Weight (lb)		138

NOTES

- Cooling and Heating Capacity data is rated at the following conditions:
Cooling: 80°FDB / 67°FWB Indoor, 95°FDB Outdoor
Heating: 70°FDB Indoor, 47°FDB / 43°FWB Outdoor

Multi-Zone System Combinations

NOTE - For multi-zone systems, the total capacity of all indoor units must be 66% to 133% of the outdoor unit capacity.

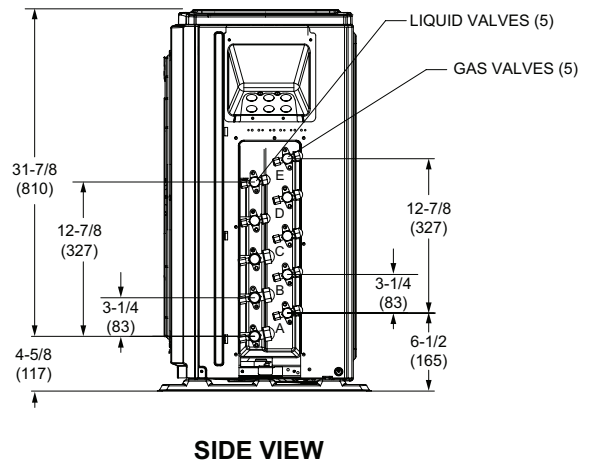
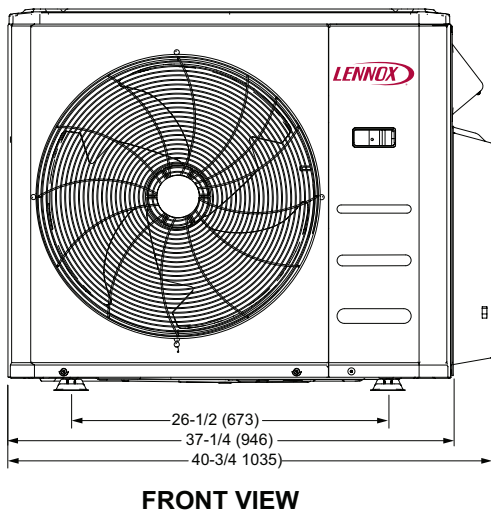
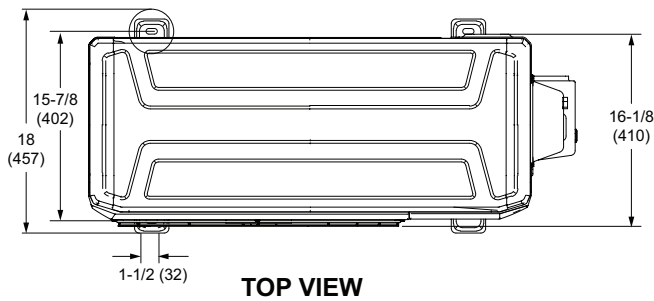
Outdoor Unit Model No.	Number of Zones	Indoor Unit Capacity					Nominal Cooling Capacity at Rated System Capacity (Btuh)					Nominal Heating Capacity at Rated System Capacity (Btuh)				
		#1	#2	#3	#4	#5	#1	#2	#3	#4	#5	#1	#2	#3	#4	#5
MLB018S4M	2	6K	6K	--	---	--	6,000	6,000	--	---	--	6,700	6,700	--	---	--
		6K	9K	--	---	--	6,000	9,000	--	---	--	6,600	9,900	--	---	--
		6K	12K	--	---	--	6,000	12,000	--	---	--	6,300	12,500	--	---	--
		9K	9K	--	---	--	9,000	9,000	--	---	--	9,500	9,500	--	---	--
		9K	12K	--	---	--	8,000	11,000	--	---	--	8,600	11,500	--	---	--
		12K	12K	--	---	--	10,000	10,000	--	---	--	10,100	10,100	--	---	--

NOTE – Due to Lennox' ongoing commitment to quality, Specifications, Ratings, and Dimensions are subject to change without notice and without incurring liability. Improper installation, adjustment, alteration, service or maintenance can cause property damage or personal injury. Installation and service must be performed by a qualified installer and servicing agency.



SUBMITTAL DATA – OUTDOOR
 UNIT MLB018S4M-1P
 MULTI-ZONE MINI-SPLIT HEAT PUMP

OUTDOOR DIMENSIONAL DRAWINGS - INCHES (MM)



NOTE – Due to Lennox' ongoing commitment to quality, Specifications, Ratings, and Dimensions are subject to change without notice and without incurring liability. Improper installation, adjustment, alteration, service or maintenance can cause property damage or personal injury. Installation and service must be performed by a qualified installer and servicing agency.