



SUBMITTAL DATA – **DUCTED**  
**MLB024S4S-1P – MMDB024S4-2P**  
 SINGLE ZONE MINI-SPLIT HEAT PUMP

**Job:** \_\_\_\_\_  
**Location:** \_\_\_\_\_  
**Schedule No.:** \_\_\_\_\_  
**System Designation:** \_\_\_\_\_

**Engineer:** \_\_\_\_\_  
**Architect:** \_\_\_\_\_  
**Date:** \_\_\_\_\_  
**For:**  Reference  Approval  Review  Construction

**FEATURES**

**Outdoor Unit: MLB024S4S-1P**



- Low Ambient Heating/Cooling
- DC Inverter Control
- Compressor Overcurrent Protection
- Base Dancer
- Defrost Control

**Indoor Unit: MMDB024S4-2P**



- Pre Heat Function
- Auto Restart
- Built-In Condensate Pump
- Three Selectable Fan Speeds
- Flare Connections
- LED Readout Panel
- Wired Remote Controller Included

**PIPING**

Line Set and Elevation Guidelines	
Maximum Line Set Length ft. (m)	164 ft. (50 m)
Maximum Elevation - Outdoor Unit Below/Above Indoor Unit ft. (m)	82 ft. (25 m)
Liquid Line Set Diameter (in.)	3/8
Gas Line Set Diameter (in.)	5/8
Pre-Charged (ft.)	25
Additional Charge of Refrigerant (oz/ft.)	0.32

**PRODUCT WARRANTY**

Compressor – Twelve year limited warranty\*  
 All other covered components - Twelve year limited warranty\*  
 \*Product registration required

**OPTIONAL ACCESSORIES**

Hail Guards (M9GARD17Q-1)  
 Programmable Controller (M0STAT64Q-2)



NOTE – Due to Lennox' ongoing commitment to quality, Specifications, Ratings, and Dimensions are subject to change without notice and without incurring liability. Improper installation, adjustment, alteration, service or maintenance can cause property damage or personal injury. Installation and service must be performed by a qualified installer and servicing agency.



**SUBMITTAL DATA - DUCTED**  
**MLB024S4S-1P - MMDB024S4-2P**  
 SINGLE ZONE MINI-SPLIT HEAT PUMP

**OUTDOOR SPECIFICATIONS**

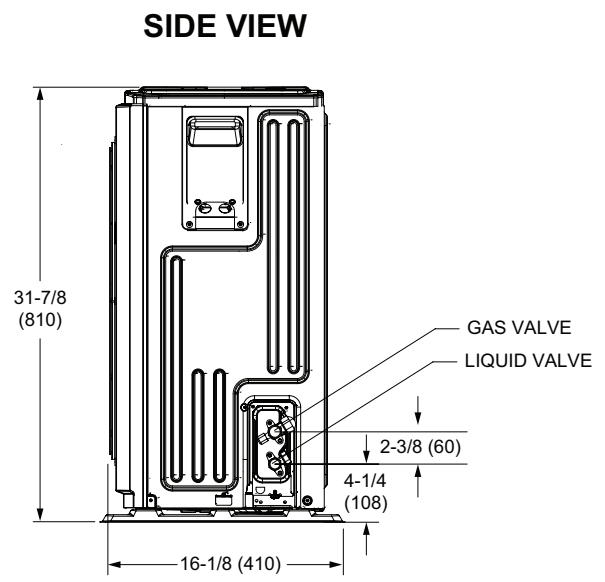
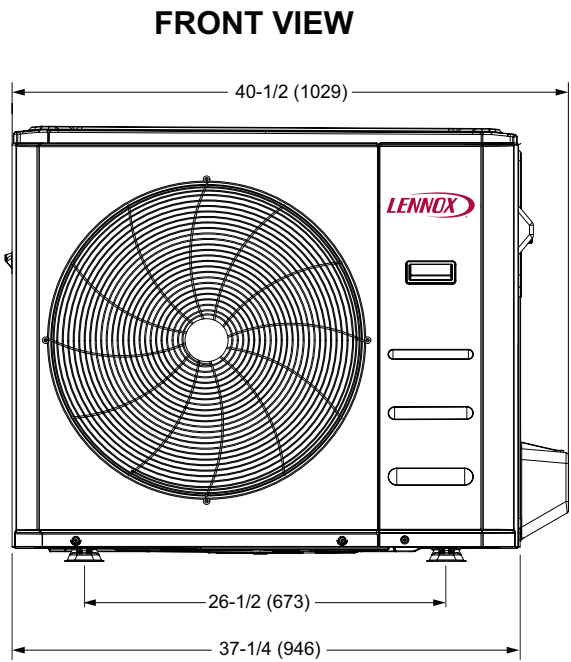
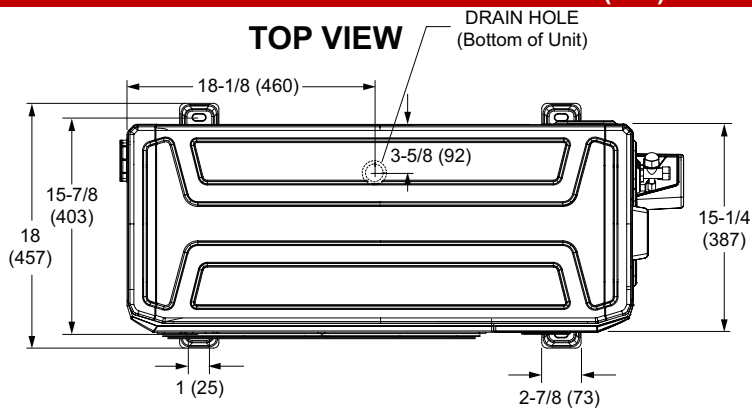
PERFORMANCE	
Cooling Capacity (Min/Max) (Btu/h) <sup>1</sup>	24,000 (6,560/27,800)
EER	12.5
SEER	20.6
Heating Capacity (Min/Max) (Btu/h) <sup>1</sup>	24,600 (12,260/32,200)
HSPF	12.6
Outdoor Fan Total Air Volume (CFM)	2,355
Ambient Temperature Operating Range	
Cooling	-22°F - 122°F
Heating	-22°F - 86°F
ELECTRICAL DATA	
Power Supply (V/Hz/Φ)	208-230/60/1
Minimum Circuit Ampacity (A)	25
Maximum Overcurrent Protection (A)	35
Outdoor Fan Motor RLA (A)	0.5
No. of Compressors	1

GENERAL DATA	
Connection Ratio (%)	100%
Max. # of Indoor Units	1 unit
Sound Data (dBA) - Cooling/Heating	62/62
Refrigerant type	R-410A
Factory refrigerant charge	5 lbs. 12 oz.
DIMENSIONS	
Unit Dimensions (in)	Height 31-7/8
	Width 40-1/2
	Depth 15-1/4
Shipping Weight (lb)	145
Net Weight (lb)	135

**NOTES**

1. Cooling and Heating Capacity data is rated at the following conditions:  
 Cooling: 80°FDB / 67°FWB Indoor, 95°FDB Outdoor  
 Heating: 70°FDB Indoor, 47°FDB / 43°FWB Outdoor

**OUTDOOR DIMENSIONAL DRAWINGS - INCHES (MM)**



NOTE - Due to Lennox' ongoing commitment to quality, Specifications, Ratings, and Dimensions are subject to change without notice and without incurring liability. Improper installation, adjustment, alteration, service or maintenance can cause property damage or personal injury. Installation and service must be performed by a qualified installer and servicing agency.  
 495954 (202205) ©2022 Lennox Industries, Inc.



**SUBMITTAL DATA - DUCTED**  
**MLB024S4S-1P – MMDB024S4-2P**  
 SINGLE ZONE MINI-SPLIT HEAT PUMP

**INDOOR SPECIFICATIONS**

<b>PERFORMANCE</b>			
Airflow (CFM)	High		775
	Medium		693
	Low		435
External Static Pressure (in. w.g.)			0 - 0.64
Sound Pressure (dBA)	High		44
	Medium		41
	Low		37

**ELECTRICAL DATA**

Power Supply (V/Hz/Φ)	Supplied by ODU		
Rated load amps (RLA)	1.7		
Power Output (W)	160		

**DIMENSIONS**

Unit Dimensions (in)	Height	7-7/8	
	Width	30-3/4	
	Depth	19-7/8	

Unit Net/Shipping Weight (lb)	87/103		
-------------------------------	--------	--	--

**PIPING**

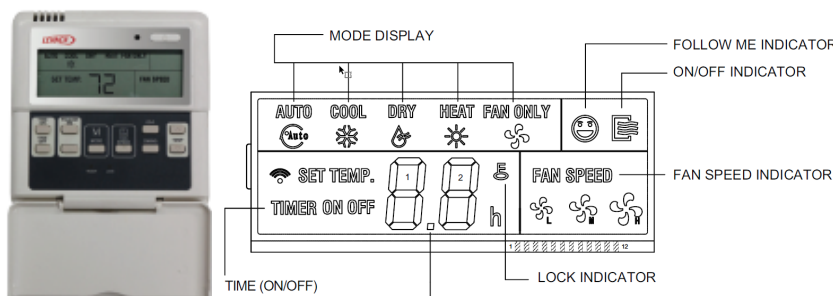
Liquid/Gas O.D. Flare (in.)	3/8, 5/8		
Drain Connection O.D. (in.)	1		

**WIRED REMOTE CONTROLLER SPECIFICATIONS**

**M0STAT61Q-1**

Input Voltage (V)	5Vdc
Communication Cabling	Factory 4-wire harness
Operating Temperature Range	23°F to 110°F
Operating Humidity Range (RH)	40% ~ 90%
Setpoint Range	62°F ~ 86°F

**DISPLAY**



**INDOOR DIMENSIONAL DRAWINGS - INCHES (MM)**

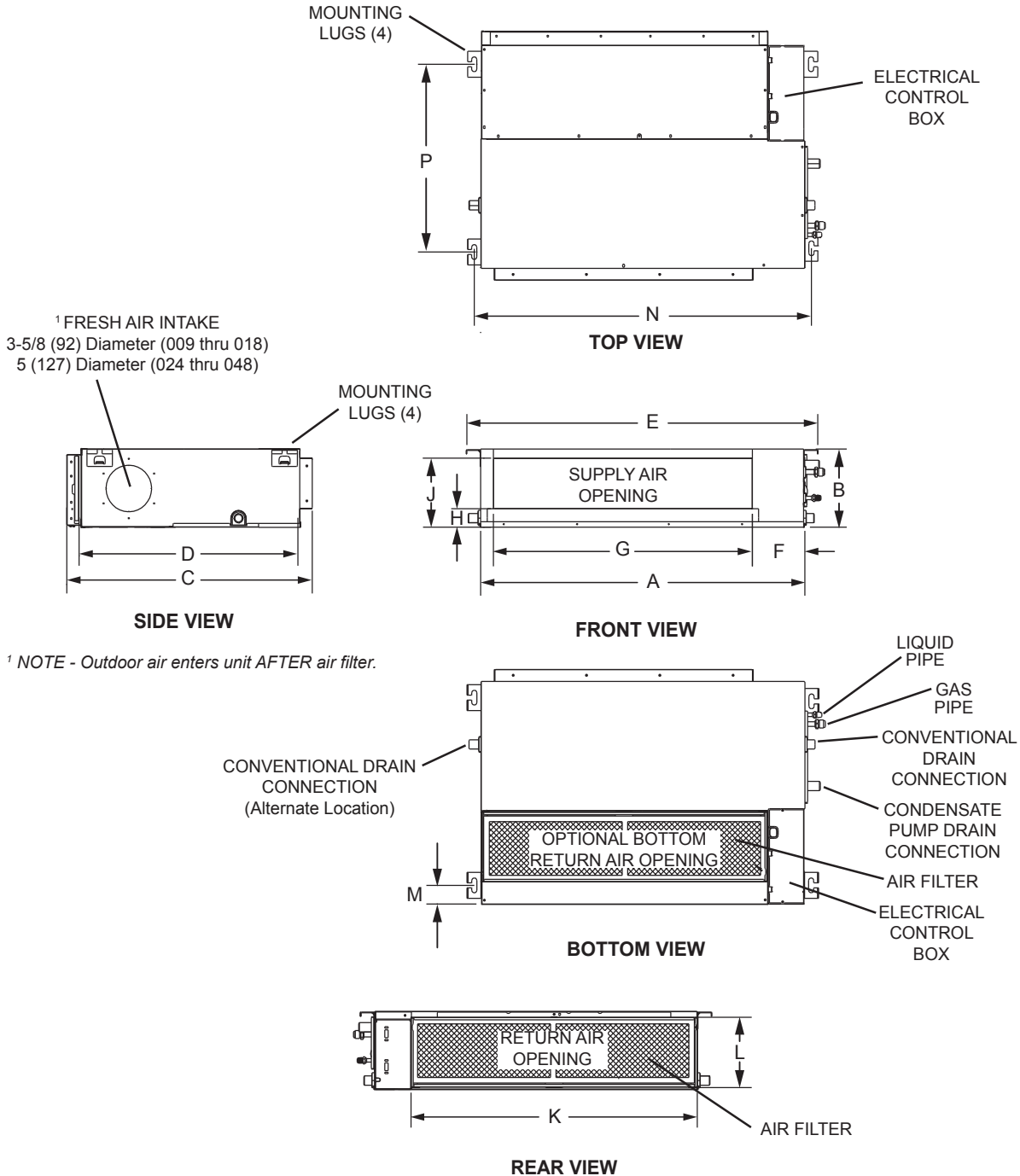
*Please See Page 1*

NOTE – Due to Lennox' ongoing commitment to quality, Specifications, Ratings, and Dimensions are subject to change without notice and without incurring liability. Improper installation, adjustment, alteration, service or maintenance can cause property damage or personal injury. Installation and service must be performed by a qualified installer and servicing agency.



**SUBMITTAL DATA - DUCTED**  
**MLB024S4S-1P - MMDB024S4-2P**  
 SINGLE ZONE MINI-SPLIT HEAT PUMP

**INDOOR DIMENSIONAL DRAWINGS - INCHES (MM)**



<sup>1</sup> NOTE - Outdoor air enters unit AFTER air filter.

Size	A		B		C		D		E		F		G		H	
	in.	mm	in.	mm	in.	mm	in.	mm	in.	mm	in.	mm	in.	mm	in.	mm
024	43-1/4	1099	9-3/4	248	30-1/2	775	27-1/2	699	46-1/2	1181	5-1/2	140	36-1/2	927	2	51
	J		K		L		M		N		P					
	in.	mm	in.	mm	in.	mm	in.	mm	in.	mm	in.	mm	in.	mm		
	6-7/8	175	39-3/8	1000	9	229	1/4	6	44-7/8	1140	23-1/2	597				

NOTE - Due to Lennox' ongoing commitment to quality, Specifications, Ratings, and Dimensions are subject to change without notice and without incurring liability. Improper installation, adjustment, alteration, service or maintenance can cause property damage or personal injury. Installation and service must be performed by a qualified installer and servicing agency.