



SUBMITTAL DATA – OUTDOOR
UNIT **MLB048S4M-2P**
MULTI-ZONE MINI-SPLIT HEAT PUMP

Job: _____
Location: _____
Schedule No.: _____
System Designation: _____

Engineer: _____
Architect: _____
Date: _____
For: Reference Approval Review Construction

FEATURES

Outdoor Unit: MLB048S4M-2P

Indoor Unit Options: Ducted OR Non-Ducted



- Low Ambient Cooling/Heating
- Defrost Control
- DC Inverter Control
- Base Pan Heater
- Crankcase Heater



Piping

Line Set and Elevation Guidelines

Maximum Number of Indoor Units/Zones	4
Liquid + Gas pipe (flare)	(5) 1/4 liq. + (3) 3/8 gas + (2) 1/2 gas
Maximum Pipe Length ft. (m)	262 ft. (80 m)
Maximum Line Set Length - Furthest Indoor Unit	115 ft. (35 m)
Maximum Elevation - Outdoor Unit Below/Above Indoor Unit ft. (m)	49 ft. (15m)
Pre-Charged (ft.)	30 ft.
Additional Charge of Refrigerant (oz/ft.)	0.32

PRODUCT WARRANTY

Compressor – Twelve year limited warranty*
 All other covered components - Twelve year limited warranty*
 *Product registration required

OPTIONAL ACCESSORIES

Non-Programmable Controller (M0STAT61Q-1)
 Programmable Controller (M0STAT64Q-2)



NOTE – Due to Lennox' ongoing commitment to quality, Specifications, Ratings, and Dimensions are subject to change without notice and without incurring liability. Improper installation, adjustment, alteration, service or maintenance can cause property damage or personal injury. Installation and service must be performed by a qualified installer and servicing agency.



SUBMITTAL DATA – OUTDOOR
UNIT **MLB048S4M-2P**
MULTI-ZONE MINI-SPLIT HEAT PUMP

OUTDOOR SPECIFICATIONS

PERFORMANCE

Cooling Capacity (Btu/h) ¹	Ducted	48,000
	Non-Ducted	48,000
EER	Ducted	11.4
	Non-Ducted	11.6
SEER	Ducted	20.2
	Non-Ducted	20.5
Heating Capacity (Btu/h) ¹	Ducted	49,000
	Non-Ducted	49,000
HSPF	Ducted	10.4
	Non-Ducted	11.0
Outdoor Fan Total Air Volume (CFM)		4500
Ambient Temperature Operating Range		
Cooling		-22 - 122°F
Heating		-22 - 86°F

ELECTRICAL DATA

Power Supply (V/Hz/φ)	208-230/60/1
Minimum Circuit Ampacity (A)	42.0
Maximum Overcurrent Protection (A)	50.0
Compressor RLA (A)	30
No. of Compressors	1

GENERAL DATA

Connection Ratio (%)	66% to 133%
Max. # of Indoor Units	Up to 5 units
Sound Data (dBA) - Cooling/Heating	65/65
Refrigerant type	R-410A
Factory refrigerant charge	10 lbs. 2 oz.

DIMENSIONS

Unit Dimensions (in)	Height	52-1/2
	Width	41-1/2
	Depth	16-3/8
Shipping Weight (lb)		270
Net Weight (lb)		238

NOTES

- Cooling and Heating Capacity data is rated at the following conditions:
Cooling: 80°FDB / 67°FWB Indoor, 95°FDB Outdoor
Heating: 70°FDB Indoor, 47°FDB / 43°FWB Outdoor

NOTE – Due to Lennox' ongoing commitment to quality, Specifications, Ratings, and Dimensions are subject to change without notice and without incurring liability. Improper installation, adjustment, alteration, service or maintenance can cause property damage or personal injury. Installation and service must be performed by a qualified installer and servicing agency.

Multi-Zone System Combinations

NOTE - For multi-zone systems, the total capacity of all indoor units must be 66% to 133% of the outdoor unit capacity.

Outdoor Unit Model No.	Number of Zones	Indoor Unit Capacity					Nominal Cooling Capacity at Rated System Capacity (Btuh)					Nominal Heating Capacity at Rated System Capacity (Btuh)				
		#1	#2	#3	#4	#5	#1	#2	#3	#4	#5	#1	#2	#3	#4	#5
MLB048S4M	2	9K	24K	--	---	--	9,000	24,000	--	---	--	9,400	25,100	--	---	--
		9K	30K	--	---	--	8,000	29,000	--	---	--	9,100	30,400	--	---	--
		9K	36K	--	---	--	8,000	33,000	--	---	--	8,600	34,500	--	---	--
		12K	24K	--	---	--	11,000	23,000	--	---	--	12,400	24,800	--	---	--
		12K	30K	--	---	--	11,000	28,000	--	---	--	11,900	29,600	--	---	--
		12K	36K	--	---	--	10,000	31,000	--	---	--	11,100	33,200	--	---	--
		18K	18K	--	---	--	17,000	17,000	--	---	--	18,600	18,600	--	---	--
		18K	24K	--	---	--	17,000	22,000	--	---	--	17,800	23,700	--	---	--
		18K	30K	--	---	--	15,000	26,000	--	---	--	16,600	27,600	--	---	--
		18K	36K	--	---	--	14,000	28,000	--	---	--	15,000	30,000	--	---	--
		24K	30K	--	---	--	18,000	23,000	--	---	--	20,000	25,000	--	---	--
		24K	36K	--	---	--	15,000	23,000	--	---	--	17,300	26,000	--	---	--
		30K	30K	--	---	--	19,000	19,000	--	---	--	21,700	21,700	--	---	--
	3	6K	6K	24K	--	---	6,000	6,000	24,000	--	---	6,400	6,400	25,500	--	---
		6K	6K	30K	--	---	6,000	6,000	29,000	--	---	6,100	6,100	30,100	--	---
		6K	6K	36K	--	---	5,000	5,000	33,000	--	---	5,800	5,800	34,300	--	---
		6K	9K	24K	--	---	6,000	9,000	23,000	--	---	6,200	9,300	24,800	--	---
		6K	9K	30K	--	---	6,000	8,000	28,000	--	---	5,900	8,800	29,300	--	---
		6K	9K	36K	--	---	5,000	8,000	32,000	--	---	5,600	8,400	33,500	--	---
		6K	12K	18K	--	---	6,000	12,000	18,000	--	---	6,400	12,800	19,100	--	---
		6K	12K	24K	--	---	6,000	11,000	23,000	--	---	6,100	12,100	24,100	--	---
		6K	12K	30K	--	---	5,000	11,000	27,000	--	---	5,800	11,500	28,600	--	---
		6K	12K	36K	--	---	5,000	10,000	31,000	--	---	5,500	10,900	32,700	--	---
		6K	18K	18K	--	---	6,000	17,000	17,000	--	---	6,100	18,100	18,100	--	---
		6K	18K	24K	--	---	5,000	16,000	22,000	--	---	5,800	17,200	22,900	--	---
		6K	18K	30K	--	---	5,000	15,000	26,000	--	---	5,500	16,400	27,300	--	---
		6K	18K	36K	--	---	5,000	14,000	29,000	--	---	5,300	15,700	31,400	--	---
		6K	24K	24K	--	---	5,000	20,000	20,000	--	---	5,500	21,800	21,800	--	---
		6K	24K	30K	--	---	5,000	19,000	24,000	--	---	5,300	21,000	26,200	--	---
		9K	9K	18K	--	---	9,000	9,000	18,000	--	---	9,600	9,600	19,100	--	---
		9K	9K	24K	--	---	9,000	9,000	23,000	--	---	9,100	9,100	24,100	--	---
		9K	9K	30K	--	---	8,000	8,000	27,000	--	---	8,600	8,600	28,600	--	---
		9K	9K	36K	--	---	8,000	8,000	31,000	--	---	8,200	8,200	32,700	--	---
		9K	12K	12K	--	---	9,000	12,000	12,000	--	---	9,900	13,200	13,200	--	---
		9K	12K	18K	--	---	9,000	12,000	18,000	--	---	9,300	12,400	18,600	--	---
		9K	12K	24K	--	---	8,000	11,000	22,000	--	---	8,800	11,800	23,500	--	---
		9K	12K	30K	--	---	8,000	11,000	26,000	--	---	8,400	11,200	27,900	--	---
		9K	12K	36K	--	---	7,000	10,000	30,000	--	---	8,100	10,700	32,100	--	---
		9K	18K	18K	--	---	8,000	17,000	17,000	--	---	8,800	17,600	17,600	--	---
		9K	18K	24K	--	---	8,000	16,000	21,000	--	---	8,400	16,800	22,300	--	---
		9K	18K	30K	--	---	7,000	15,000	25,000	--	---	8,100	16,100	26,700	--	---
		9K	18K	36K	--	---	7,000	14,000	28,000	--	---	7,800	15,500	30,900	--	---
		9K	24K	24K	--	---	7,000	20,000	20,000	--	---	8,100	21,400	21,400	--	---
9K		24K	30K	--	---	7,000	19,000	23,000	--	---	7,800	20,600	25,700	--	---	
12K		12K	12K	--	---	12,000	12,000	12,000	--	---	12,800	12,800	12,800	--	---	
12K		12K	18K	--	---	11,000	11,000	17,000	--	---	12,100	12,100	18,100	--	---	
12K		12K	24K	--	---	11,000	11,000	22,000	--	---	11,500	11,500	22,900	--	---	
12K		12K	30K	--	---	10,000	10,000	26,000	--	---	10,900	10,900	27,300	--	---	
12K		12K	36K	--	---	10,000	10,000	29,000	--	---	10,500	10,500	31,400	--	---	
12K		18K	18K	--	---	11,000	16,000	16,000	--	---	11,500	17,200	17,200	--	---	
12K	18K	24K	--	---	10,000	15,000	20,000	--	---	10,900	16,400	21,800	--	---		
12K	18K	30K	--	---	10,000	14,000	24,000	--	---	10,500	15,700	26,200	--	---		
12K	24K	24K	--	---	10,000	19,000	19,000	--	---	10,500	21,000	21,000	--	---		
18K	18K	18K	--	---	15,000	15,000	15,000	--	---	16,400	16,400	16,400	--	---		
18K	18K	24K	--	---	14,000	14,000	19,000	--	---	15,700	15,700	21,000	--	---		

Multi-Zone System Combinations

NOTE - For multi-zone systems, the total capacity of all indoor units must be 66% to 133% of the outdoor unit capacity.

Outdoor Unit Model No.	Number of Zones	Indoor Unit Capacity					Nominal Cooling Capacity at Rated System Capacity (Btuh)					Nominal Heating Capacity at Rated System Capacity (Btuh)				
		#1	#2	#3	#4	#5	#1	#2	#3	#4	#5	#1	#2	#3	#4	#5
MLB048S4M	4	6K	6K	6K	18K	--	6,000	6,000	6,000	18,000	--	6,500	6,500	6,500	19,400	--
		6K	6K	6K	24K	--	6,000	6,000	6,000	24,000	--	6,300	6,300	6,300	25,100	--
		6K	6K	6K	30K	--	6,000	6,000	6,000	29,000	--	6,100	6,100	6,100	30,100	--
		6K	6K	6K	36K	--	5,000	5,000	5,000	32,000	--	5,700	5,700	5,700	33,800	--
		6K	6K	9K	18K	--	6,000	6,000	9,000	18,000	--	6,400	6,400	9,600	19,100	--
		6K	6K	9K	24K	--	6,000	6,000	9,000	24,000	--	6,200	6,200	9,300	24,600	--
		6K	6K	9K	30K	--	6,000	6,000	8,000	28,000	--	5,900	5,900	8,800	29,200	--
		6K	6K	9K	36K	--	5,000	5,000	8,000	31,000	--	5,500	5,500	8,200	32,500	--
		6K	6K	12K	12K	--	6,000	6,000	12,000	12,000	--	6,500	6,500	12,900	12,900	--
		6K	6K	12K	18K	--	6,000	6,000	12,000	18,000	--	6,300	6,300	12,600	18,900	--
		6K	6K	12K	24K	--	6,000	6,000	11,000	23,000	--	6,100	6,100	12,100	24,100	--
		6K	6K	12K	30K	--	5,000	5,000	11,000	27,000	--	5,700	5,700	11,300	28,200	--
		6K	6K	12K	36K	--	5,000	5,000	10,000	30,000	--	5,200	5,200	10,400	31,000	--
		6K	6K	18K	18K	--	6,000	6,000	17,000	17,000	--	6,100	6,100	18,100	18,100	--
		6K	6K	18K	24K	--	5,000	5,000	16,000	22,000	--	5,700	5,700	16,900	22,600	--
		6K	6K	18K	30K	--	5,000	5,000	15,000	25,000	--	5,200	5,200	15,500	25,800	--
		6K	6K	24K	24K	--	5,000	5,000	20,000	20,000	--	5,200	5,200	20,700	20,700	--
		6K	9K	9K	12K	--	6,000	9,000	9,000	12,000	--	6,500	9,700	9,700	12,900	--
		6K	9K	9K	18K	--	6,000	9,000	9,000	18,000	--	6,300	9,500	9,500	18,900	--
		6K	9K	9K	24K	--	6,000	9,000	9,000	23,000	--	6,100	9,100	9,100	24,100	--
		6K	9K	9K	30K	--	5,000	8,000	8,000	27,000	--	5,700	8,500	8,500	28,200	--
		6K	9K	9K	36K	--	5,000	7,000	7,000	30,000	--	5,200	7,800	7,800	31,000	--
		6K	9K	12K	12K	--	6,000	9,000	12,000	12,000	--	6,400	9,600	12,800	12,800	--
		6K	9K	12K	18K	--	6,000	9,000	12,000	18,000	--	6,200	9,300	12,300	18,500	--
		6K	9K	12K	24K	--	6,000	8,000	11,000	22,000	--	5,900	8,800	11,700	23,400	--
		6K	9K	12K	30K	--	5,000	8,000	10,000	26,000	--	5,500	8,200	10,900	27,100	--
		6K	9K	12K	36K	--	5,000	7,000	9,000	28,000	--	4,900	7,400	9,800	29,300	--
		6K	9K	18K	18K	--	6,000	8,000	17,000	17,000	--	5,900	8,800	17,500	17,500	--
		6K	9K	18K	24K	--	5,000	8,000	16,000	21,000	--	5,500	8,200	16,300	21,700	--
		6K	9K	18K	30K	--	5,000	7,000	14,000	24,000	--	4,900	7,400	14,700	24,500	--
		6K	12K	12K	12K	--	6,000	12,000	12,000	12,000	--	6,300	12,600	12,600	12,600	--
		6K	12K	12K	18K	--	6,000	11,000	11,000	17,000	--	6,100	12,100	12,100	18,100	--
		6K	12K	12K	24K	--	5,000	11,000	11,000	22,000	--	5,700	11,300	11,300	22,600	--
		6K	12K	12K	30K	--	5,000	10,000	10,000	25,000	--	5,200	10,400	10,400	25,800	--
		6K	12K	18K	18K	--	5,000	11,000	16,000	16,000	--	5,700	11,300	16,900	16,900	--
		6K	12K	18K	24K	--	5,000	10,000	15,000	20,000	--	5,200	10,400	15,500	20,700	--
		9K	9K	9K	9K	--	9,000	9,000	9,000	9,000	--	9,700	9,700	9,700	9,700	--
		9K	9K	9K	12K	--	9,000	9,000	9,000	12,000	--	9,600	9,600	9,600	12,800	--
		9K	9K	9K	18K	--	9,000	9,000	9,000	18,000	--	9,300	9,300	9,300	18,500	--
		9K	9K	9K	24K	--	8,000	8,000	8,000	22,000	--	8,800	8,800	8,800	23,400	--
9K	9K	9K	30K	--	8,000	8,000	8,000	26,000	--	8,200	8,200	8,200	27,100	--		
9K	9K	9K	36K	--	7,000	7,000	7,000	28,000	--	7,400	7,400	7,400	29,300	--		
9K	9K	12K	12K	--	9,000	9,000	12,000	12,000	--	9,500	9,500	12,600	12,600	--		
9K	9K	12K	18K	--	9,000	9,000	11,000	17,000	--	9,100	9,100	12,100	18,100	--		
9K	9K	12K	24K	--	8,000	8,000	11,000	22,000	--	8,500	8,500	11,300	22,600	--		

Multi-Zone System Combinations

NOTE - For multi-zone systems, the total capacity of all indoor units must be 66% to 133% of the outdoor unit capacity.

Outdoor Unit Model No.	Number of Zones	Indoor Unit Capacity					Nominal Cooling Capacity at Rated System Capacity (Btuh)					Nominal Heating Capacity at Rated System Capacity (Btuh)				
		#1	#2	#3	#4	#5	#1	#2	#3	#4	#5	#1	#2	#3	#4	#5
MLB048S4M	4	9K	9K	12K	30K	--	7,000	7,000	10,000	25,000	--	7,800	7,800	10,400	25,800	--
		9K	9K	18K	18K	--	8,000	8,000	16,000	16,000	--	8,500	8,500	16,900	16,900	--
		9K	9K	18K	24K	--	7,000	7,000	15,000	20,000	--	7,800	7,800	15,500	20,700	--
		9K	12K	12K	12K	--	9,000	12,000	12,000	12,000	--	9,300	12,300	12,300	12,300	--
		9K	12K	12K	18K	--	8,000	11,000	11,000	17,000	--	8,800	11,700	11,700	17,500	--
		9K	12K	12K	24K	--	8,000	10,000	10,000	21,000	--	8,200	10,900	10,900	21,700	--
		9K	12K	12K	30K	--	7,000	9,000	9,000	24,000	--	7,400	9,800	9,800	24,500	--
		9K	12K	18K	18K	--	8,000	10,000	16,000	16,000	--	8,200	10,900	16,300	16,300	--
		9K	12K	18K	24K	--	7,000	9,000	14,000	19,000	--	7,400	9,800	14,700	19,600	--
		12K	12K	12K	12K	--	11,000	11,000	11,000	11,000	--	12,100	12,100	12,100	12,100	--
		12K	12K	12K	18K	--	11,000	11,000	11,000	16,000	--	11,300	11,300	11,300	16,900	--
		12K	12K	12K	24K	--	10,000	10,000	10,000	20,000	--	10,400	10,400	10,400	20,700	--
		12K	12K	18K	18K	--	10,000	10,000	15,000	15,000	--	10,400	10,400	15,500	15,500	--
		6K	6K	6K	6K	9K	6,000	6,000	6,000	6,000	9,000	7,000	7,000	7,000	7,000	10,000
	6K	6K	6K	6K	12K	6,000	6,000	6,000	6,000	12,000	6,000	6,000	6,000	6,000	13,000	
	6K	6K	6K	6K	18K	6,000	6,000	6,000	6,000	18,000	6,000	6,000	6,000	6,000	19,000	
	6K	6K	6K	6K	24K	6,000	6,000	6,000	6,000	24,000	6,000	6,000	6,000	6,000	25,000	
	6K	6K	6K	6K	30K	6,000	6,000	6,000	6,000	28,000	5,000	5,000	5,000	5,000	29,000	
	6K	6K	6K	6K	36K	5,000	5,000	5,000	5,000	31,000	5,000	5,000	5,000	5,000	32,000	
	6K	6K	6K	9K	9K	6,000	6,000	6,000	9,000	9,000	6,000	6,000	6,000	10,000	10,000	
	6K	6K	6K	9K	12K	6,000	6,000	6,000	9,000	12,000	6,000	6,000	6,000	10,000	13,000	
	6K	6K	6K	9K	18K	6,000	6,000	6,000	9,000	18,000	6,000	6,000	6,000	9,000	19,000	
	6K	6K	6K	9K	24K	6,000	6,000	6,000	9,000	23,000	6,000	6,000	6,000	9,000	24,000	
	6K	6K	6K	9K	30K	5,000	5,000	5,000	8,000	27,000	5,000	5,000	5,000	8,000	28,000	
	6K	6K	6K	9K	36K	5,000	5,000	5,000	7,000	29,000	5,000	5,000	5,000	7,000	31,000	
	6K	6K	6K	12K	12K	6,000	6,000	6,000	12,000	12,000	6,000	6,000	6,000	13,000	13,000	
	6K	6K	6K	12K	18K	6,000	6,000	6,000	12,000	18,000	6,000	6,000	6,000	12,000	18,000	
	6K	6K	6K	12K	24K	6,000	6,000	6,000	11,000	22,000	5,000	5,000	5,000	11,000	23,000	
	6K	6K	6K	12K	30K	5,000	5,000	5,000	10,000	26,000	5,000	5,000	5,000	10,000	27,000	
	6K	6K	6K	18K	18K	6,000	6,000	6,000	17,000	17,000	5,000	5,000	5,000	17,000	17,000	
	6K	6K	6K	18K	24K	5,000	5,000	5,000	16,000	21,000	5,000	5,000	5,000	16,000	21,000	
	6K	6K	9K	9K	9K	6,000	6,000	9,000	9,000	9,000	6,000	6,000	10,000	10,000	10,000	
6K	6K	9K	9K	12K	6,000	6,000	9,000	9,000	12,000	6,000	6,000	9,000	9,000	13,000		
6K	6K	9K	9K	18K	6,000	6,000	9,000	9,000	18,000	6,000	6,000	9,000	9,000	18,000		
6K	6K	9K	9K	24K	6,000	6,000	8,000	8,000	22,000	5,000	5,000	8,000	8,000	23,000		
6K	6K	9K	9K	30K	5,000	5,000	8,000	8,000	26,000	5,000	5,000	8,000	8,000	27,000		
6K	6K	9K	12K	12K	6,000	6,000	9,000	12,000	12,000	6,000	6,000	9,000	12,000	12,000		
6K	6K	9K	12K	18K	6,000	6,000	9,000	12,000	17,000	6,000	6,000	9,000	12,000	18,000		
6K	6K	9K	12K	24K	5,000	5,000	8,000	11,000	22,000	5,000	5,000	8,000	11,000	22,000		
6K	6K	9K	12K	30K	5,000	5,000	7,000	10,000	24,000	5,000	5,000	7,000	10,000	26,000		
6K	6K	9K	18K	18K	5,000	5,000	8,000	16,000	16,000	5,000	5,000	8,000	17,000	17,000		
6K	6K	9K	18K	24K	5,000	5,000	7,000	15,000	20,000	5,000	5,000	7,000	15,000	21,000		
6K	6K	12K	12K	12K	6,000	6,000	12,000	12,000	12,000	6,000	6,000	12,000	12,000	12,000		
6K	6K	12K	12K	18K	6,000	6,000	11,000	11,000	17,000	5,000	5,000	11,000	11,000	17,000		
6K	6K	12K	12K	24K	5,000	5,000	10,000	10,000	21,000	5,000	5,000	10,000	10,000	21,000		



SUBMITTAL DATA – OUTDOOR
UNIT **MLB048S4M-2P**
MULTI-ZONE MINI-SPLIT HEAT PUMP

Multi-Zone System Combinations

NOTE - For multi-zone systems, the total capacity of all indoor units must be 66% to 133% of the outdoor unit capacity.

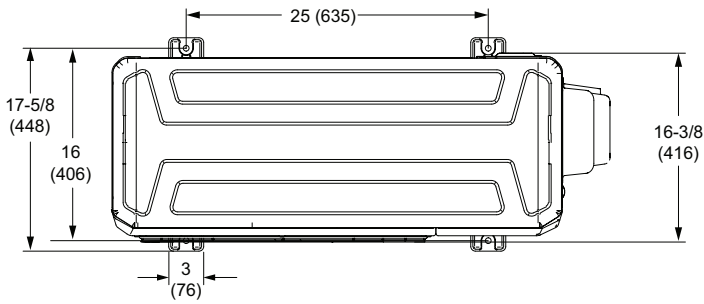
Outdoor Unit Model No.	Number of Zones	Indoor Unit Capacity					Nominal Cooling Capacity at Rated System Capacity (Btuh)					Nominal Heating Capacity at Rated System Capacity (Btuh)				
		#1	#2	#3	#4	#5	#1	#2	#3	#4	#5	#1	#2	#3	#4	#5
MLB048S4M	5	6K	6K	12K	18K	18K	5,000	5,000	10,000	16,000	16,000	5,000	5,000	10,000	16,000	16,000
		6K	9K	9K	9K	9K	6,000	9,000	9,000	9,000	9,000	6,000	9,000	9,000	9,000	9,000
		6K	9K	9K	9K	12K	6,000	9,000	9,000	9,000	12,000	6,000	9,000	9,000	9,000	12,000
		6K	9K	9K	9K	18K	6,000	9,000	9,000	9,000	17,000	6,000	9,000	9,000	9,000	18,000
		6K	9K	9K	9K	24K	5,000	8,000	8,000	8,000	22,000	5,000	8,000	8,000	8,000	22,000
		6K	9K	9K	9K	30K	5,000	7,000	7,000	7,000	24,000	5,000	7,000	7,000	7,000	26,000
		6K	9K	9K	12K	12K	6,000	9,000	9,000	12,000	12,000	6,000	9,000	9,000	12,000	12,000
		6K	9K	9K	12K	18K	6,000	8,000	8,000	11,000	17,000	5,000	8,000	8,000	11,000	17,000
		6K	9K	9K	12K	24K	5,000	8,000	8,000	10,000	21,000	5,000	8,000	8,000	10,000	21,000
		6K	9K	9K	18K	18K	5,000	8,000	8,000	16,000	16,000	5,000	8,000	8,000	16,000	16,000
		6K	9K	12K	12K	12K	6,000	9,000	12,000	12,000	12,000	6,000	9,000	12,000	12,000	12,000
		6K	9K	12K	12K	18K	5,000	8,000	11,000	11,000	16,000	5,000	8,000	11,000	11,000	17,000
		6K	9K	12K	12K	24K	5,000	7,000	10,000	10,000	20,000	5,000	7,000	10,000	10,000	21,000
		6K	12K	12K	12K	12K	6,000	11,000	11,000	11,000	11,000	5,000	11,000	11,000	11,000	11,000
		6K	12K	12K	12K	18K	5,000	10,000	10,000	10,000	16,000	5,000	10,000	10,000	10,000	16,000
		9K	9K	9K	9K	9K	9,000	9,000	9,000	9,000	9,000	9,500	9,500	9,500	9,500	9,500
		9K	9K	9K	9K	12K	9,000	9,000	9,000	9,000	12,000	9,000	9,000	9,000	9,000	12,000
		9K	9K	9K	9K	18K	8,000	8,000	8,000	8,000	17,000	8,000	8,000	8,000	8,000	17,000
		9K	9K	9K	9K	24K	8,000	8,000	8,000	8,000	21,000	8,000	8,000	8,000	8,000	21,000
		9K	9K	9K	12K	12K	9,000	9,000	9,000	12,000	12,000	9,000	9,000	9,000	12,000	12,000
		9K	9K	9K	12K	18K	8,000	8,000	8,000	11,000	16,000	8,000	8,000	8,000	11,000	17,000
		9K	9K	9K	12K	24K	7,000	7,000	7,000	10,000	20,000	7,000	7,000	7,000	10,000	21,000
		9K	9K	12K	12K	12K	8,000	8,000	11,000	11,000	11,000	8,000	8,000	11,000	11,000	11,000
		9K	9K	12K	12K	18K	8,000	8,000	10,000	10,000	16,000	8,000	8,000	10,000	10,000	16,000
9K	12K	12K	12K	12K	8,000	11,000	11,000	11,000	11,000	8,000	11,000	11,000	11,000	11,000		
12K	12K	12K	12K	12K	10,000	10,000	10,000	10,000	10,000	10,000	10,000	10,000	10,000	10,000		

NOTE – Due to Lennox’ ongoing commitment to quality, Specifications, Ratings, and Dimensions are subject to change without notice and without incurring liability. Improper installation, adjustment, alteration, service or maintenance can cause property damage or personal injury. Installation and service must be performed by a qualified installer and servicing agency.

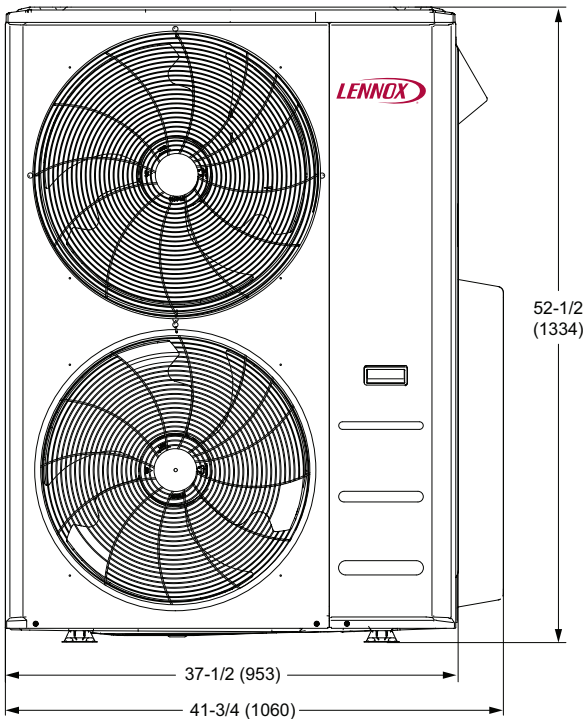


SUBMITTAL DATA - OUTDOOR
 UNIT **MLB048S4M-2P**
MULTI-ZONE MINI-SPLIT HEAT PUMP

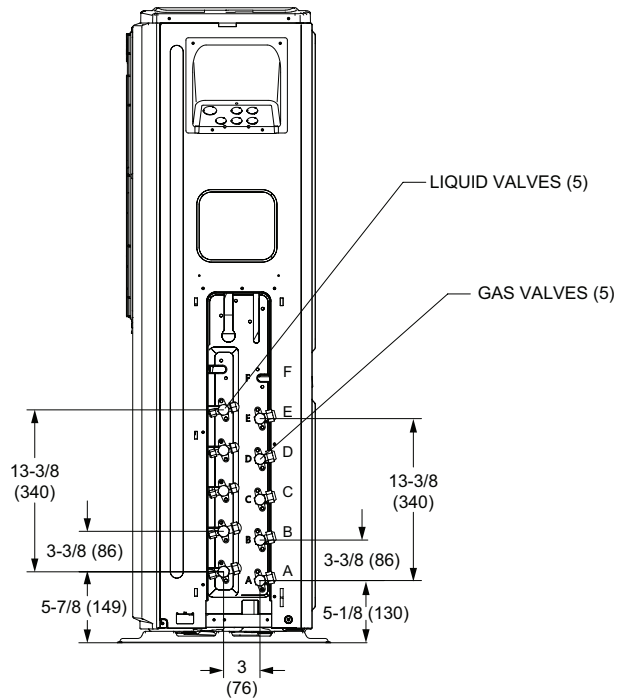
OUTDOOR DIMENSIONAL DRAWINGS - INCHES (MM)



TOP VIEW



FRONT VIEW



SIDE VIEW

NOTE - Due to Lennox' ongoing commitment to quality, Specifications, Ratings, and Dimensions are subject to change without notice and without incurring liability. Improper installation, adjustment, alteration, service or maintenance can cause property damage or personal injury. Installation and service must be performed by a qualified installer and servicing agency.