



SUBMITTAL DATA – CEILING CASSETTE
MLB048S4S-1P – M33B048S4-2P
 SINGLE ZONE MINI-SPLIT HEAT PUMP

Job: _____
Location: _____
Schedule No.: _____
System Designation: _____

Engineer: _____
Architect: _____
Date: _____
For: Reference Approval Review Construction

FEATURES

Outdoor Unit: MLB048S4S-1P



- Low Ambient Heating/Cooling
- DC Inverter Control
- Compressor Overcurrent Protection
- Base Heater
- Defrost Control

Indoor Unit: M33A048S4-2P



- 360 Airflow Panel
- Pre Heat Function
- Auto Restart
- Built-In Condensate Pump
- Three Selectable Fan Speeds
- Flare Connections
- LED Readout/Infrared Receiver Panel
- Wireless Remote Included

PIPING

Line Set and Elevation Guidelines	
Maximum Line Set Length ft. (m)	213 ft. (65 m)
Maximum Elevation - Outdoor Unit Below/Above Indoor Unit ft. (m)	98 ft. (30 m)
Liquid Line Set Diameter (in.)	3/8
Gas Line Set Diameter (in.)	5/8
Pre-Charged (ft.)	25 ft.
Additional Charge of Refrigerant (oz/ft.)	0.32

PRODUCT WARRANTY

Compressor – Twelve year limited warranty*
 All other covered components - Twelve year limited warranty*
 *Product registration required

OPTIONAL ACCESSORIES

Non-Programmable Controller (M0STAT61Q-1)
 Programmable Controller (M0STAT64Q-1)
 Hail Guards (M9GARD17Q-1)



NOTE – Due to Lennox' ongoing commitment to quality, Specifications, Ratings, and Dimensions are subject to change without notice and without incurring liability. Improper installation, adjustment, alteration, service or maintenance can cause property damage or personal injury. Installation and service must be performed by a qualified installer and servicing agency.



SUBMITTAL DATA – CEILING **CASSETTE**

ML**B048S4S-1P** – M**33B048S4-2P**

SINGLE ZONE MINI-SPLIT HEAT PUMP

OUTDOOR SPECIFICATIONS

PERFORMANCE	
Cooling Capacity (Btu/h) ¹	48,000
EER	8.3
SEER	16.5
Heating Capacity (Btu/h) ¹	51,000
HSPF	10.7
Outdoor Fan Total Air Volume (CFM)	4,470
Ambient Temperature Operating Range	
Cooling	-22°F - 122°F
Heating	-22°F - 86°F
ELECTRICAL DATA	
Power Supply (V/Hz/Φ)	208-230/60/1
Minimum Circuit Ampacity (A)	36.3
Maximum Overcurrent Protection (A)	50
Outdoor Fan Motor RLA (A)	2 (0.39)
Compressor RLA (A)	
No. of Compressors	2

GENERAL DATA	
Connection Ratio (%)	100%
Max. # of Indoor Units	1 unit
Sound Data (dBA) - Cooling/Heating	65/65
Refrigerant type	R-410A
Factory refrigerant charge	16 lbs. 0 oz.
DIMENSIONS	
Unit Dimensions (in)	Height 52-1/2 Width 37-1/2 Depth 15-7/8
Shipping Weight (lb)	256
Net Weight (lb)	228

NOTES

1. Cooling and Heating Capacity data is rated at the following conditions:
 Cooling: 80°FDB / 67°FWB Indoor, 95°FDB Outdoor
 Heating: 70°FDB Indoor, 47°FDB / 43°FWB Outdoor

INDOOR SPECIFICATIONS

PERFORMANCE		
Airflow (CFM)	High	700
	Medium	635
	Low	575
External Static Pressure (in. w.g.)		-
Sound Pressure (dBA)	High	51
	Medium	47
	Low	43
ELECTRICAL DATA		
Power Supply (V/Hz/Φ)	Supplied by ODU	
Rated load amps (RLA)	2	
Power Output (W)	42	
DIMENSIONS		
Unit Dimensions (in)	Height	8-1/8
	Width	33-1/8
	Depth	33-1/8
Unit Net/Shipping Weight (lb)	47/55	

WIRELESS REMOTE CONTROLLER SPECIFICATIONS

M0STAT60Q-1	
Power Supply	2 AAA Batteries (Included)
Setpoint Range	62°F - 86°F
Operating Temperature Range	23°F - 140°F
Operating Humidity Range (RH)	40% to 90%
Effective Receiving Range	26 ft.

ELECTRICAL DATA		
Power Supply (V/Hz/Φ)	Supplied by ODU	
Rated load amps (RLA)	2	
Power Output (W)	42	
DIMENSIONS		
Unit Dimensions (in)	Height	8-1/8
	Width	33-1/8
	Depth	33-1/8
Unit Net/Shipping Weight (lb)	47/55	

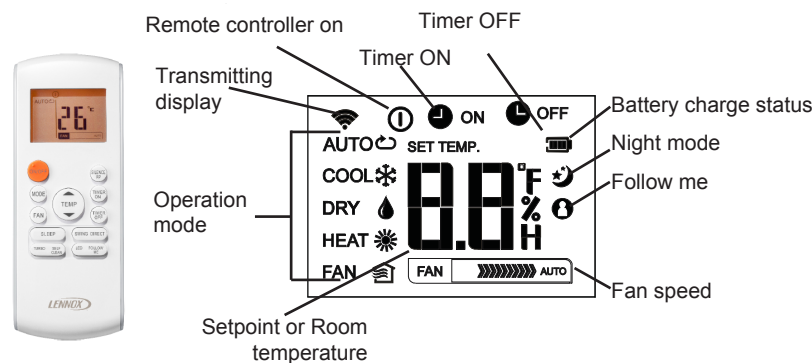
PIPING

Liquid/Gas O.D. Flare (in.)	3/8, 5/8
Drain Connection O.D. (in.)	1-1/4

Required Component - Ordered Separately

Cassette Panel	13 x 05 (M0STAT63Q-1)
Net/Shipping Weight (lb)	12/18

DISPLAY



NOTE – Due to Lennox' ongoing commitment to quality, Specifications, Ratings, and Dimensions are subject to change without notice and without incurring liability. Improper installation, adjustment, alteration, service or maintenance can cause property damage or personal injury. Installation and service must be performed by a qualified installer and servicing agency.

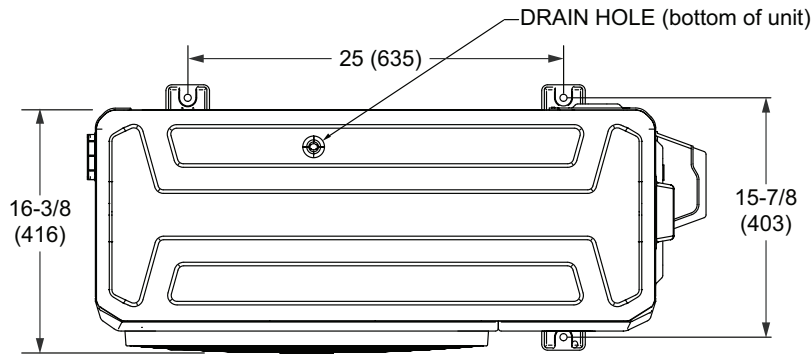


SUBMITTAL DATA - CEILING **CASSETTE**

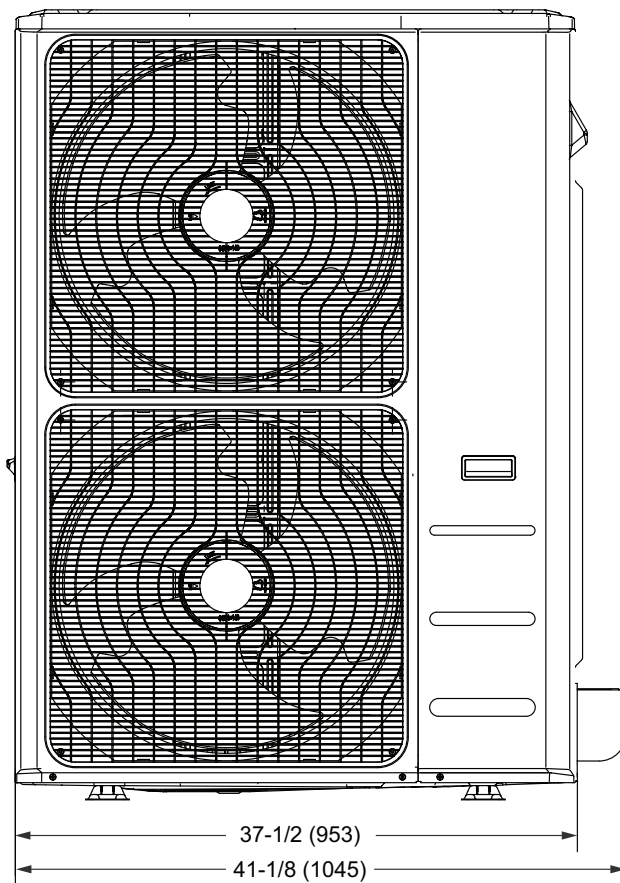
ML**B048S4S-1P** - M**33B048S4-2P**

SINGLE ZONE MINI-SPLIT HEAT PUMP

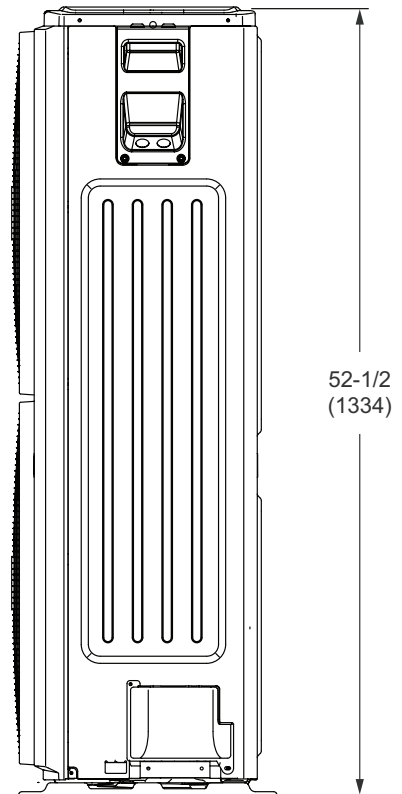
OUTDOOR DIMENSIONAL DRAWINGS - INCHES (MM)



TOP VIEW



FRONT VIEW



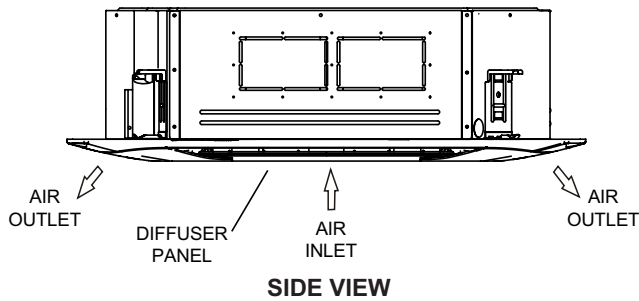
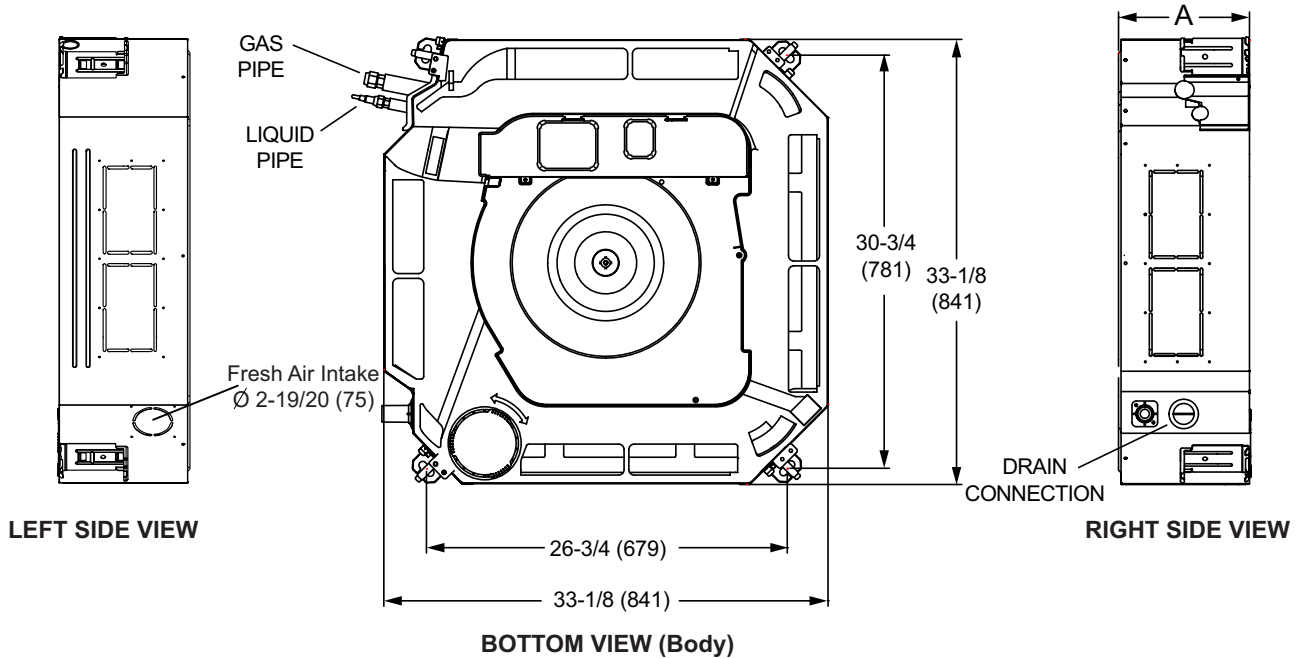
SIDE VIEW

NOTE - Due to Lennox' ongoing commitment to quality, Specifications, Ratings, and Dimensions are subject to change without notice and without incurring liability. Improper installation, adjustment, alteration, service or maintenance can cause property damage or personal injury. Installation and service must be performed by a qualified installer and servicing agency.

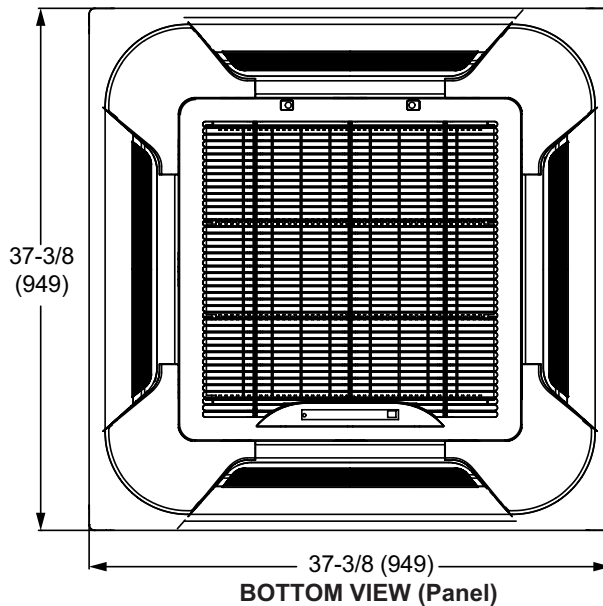


SUBMITTAL DATA - CEILING CASSETTE
 ML**B048S4S-1P** - M**33B048S4-2P**
 SINGLE ZONE MINI-SPLIT HEAT PUMP

INDOOR DIMENSIONAL DRAWINGS - INCHES (MM)



Size	A	
	in.	mm
048	11-1/4	286



NOTE - Due to Lennox' ongoing commitment to quality, Specifications, Ratings, and Dimensions are subject to change without notice and without incurring liability. Improper installation, adjustment, alteration, service or maintenance can cause property damage or personal injury. Installation and service must be performed by a qualified installer and servicing agency.