



SUBMITTAL DATA - **DUCTED**
MMDB018S4-2P
MULTI-ZONE MINI-SPLIT HEAT PUMP

Job: _____
Location: _____
Schedule No.: _____
System Designation: _____

Engineer: _____
Architect: _____
Date: _____
For: Reference Approval Review Construction

FEATURES

- Pre Heat Function
- Auto Restart
- Low Charge Detection
- Built-In Condensate Pump
- Flare Connections
- Three Speed Fan
- Refrigerant R-410A
- Wired Controller included

Product Warranty

All covered components - Twelve year limited warranty.
 Product registration required.

SPECIFICATIONS

PERFORMANCE

| | | |
|---------------------------------------|--------|----------|
| Cooling Capacity ¹ (Btu/h) | | 18,000 |
| Heating Capacity ¹ (Btu/h) | | 18,000 |
| Airflow (CFM) | High | 505 |
| | Medium | 430 |
| | Low | 350 |
| External Static Pressure (in. w.g.) | | 0 - 0.40 |
| Sound Pressure (dBA) | High | 39 |
| | Medium | 37 |
| | Low | 35 |

ELECTRICAL DATA

| | |
|-----------------------|--------------|
| Power Supply (V/Hz/Φ) | 208-230/60/1 |
| Rated load amps (RLA) | 1.2 |
| Power Output (W) | 160 |

DIMENSIONS

| | | |
|----------------------------------|--------|--------|
| Unit Dimensions (in) | Height | 8-1/4 |
| | Width | 34-5/8 |
| | Depth | 23-5/8 |
| Liquid Pipe Connection (in) | | 1/4 |
| Gas Pipe Connection (in) | | 1/2 |
| Condensate drain connection (in) | | 1 |
| Unit Shipping Weight (lb) | | 66 |
| Unit Net Weight (lb) | | 54 |



OPTIONAL ACCESSORIES

| | |
|--|----|
| Non-Programmable Controller (M0STAT61Q-1): | 1+ |
| Programmable Controller (M0STAT64Q-1): | |

NOTES

1. Cooling and Heating capacity data is rated at the following conditions:
 Cooling: 80°FDB / 67°FWB Indoor, 95°FDB Outdoor
 Heating: 70°FDB Indoor, 47°FDB / 43°FWB Outdoor

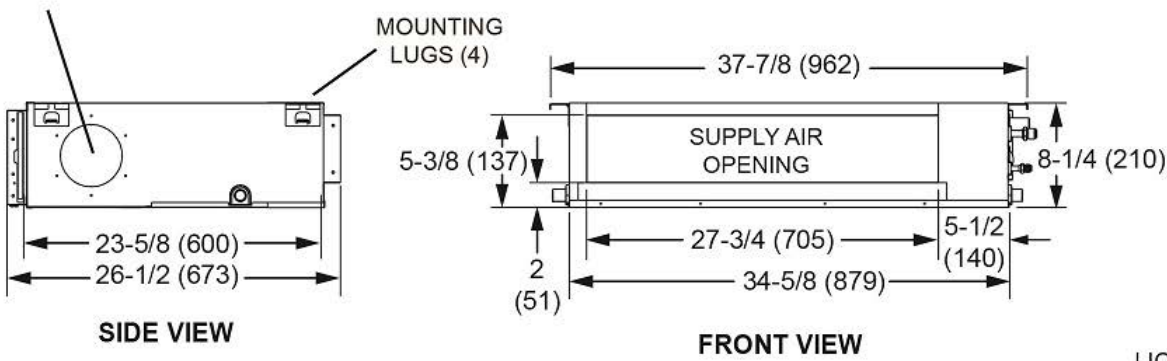
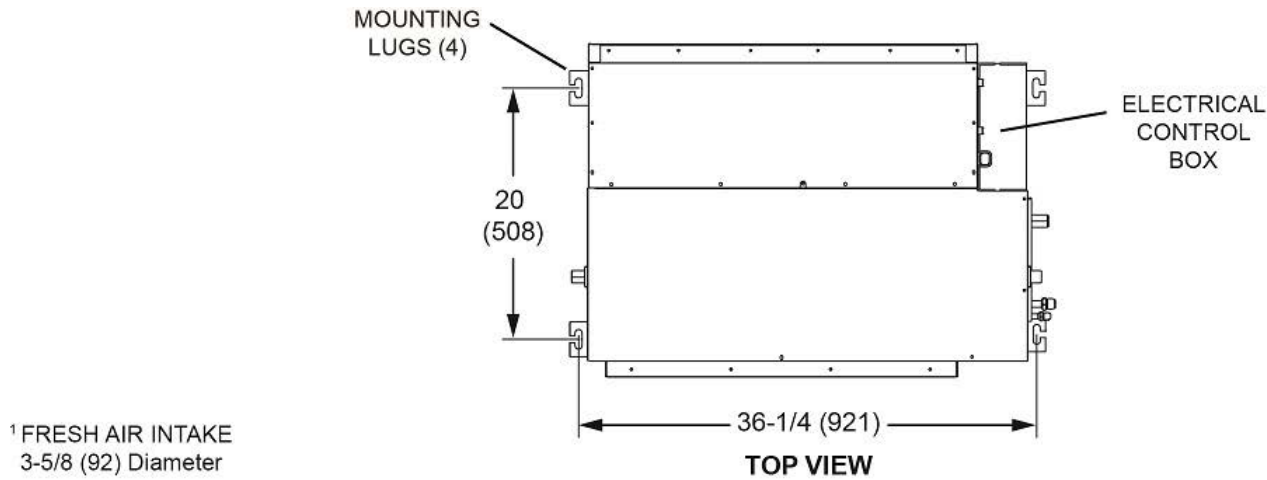


NOTE - Due to Lennox' ongoing commitment to quality, Specifications, Ratings and Dimensions subject to change without notice and without incurring liability. Improper installation, adjustment, alteration, service or maintenance can cause property damage or personal injury. Installation and service must be performed by a qualified installer and servicing agency.

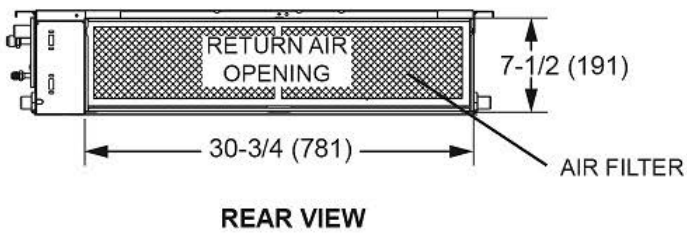
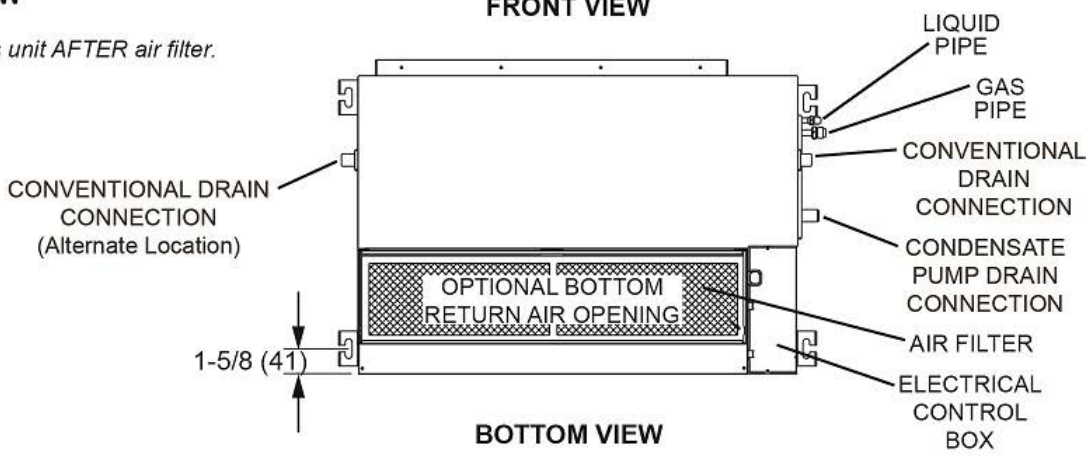


SUBMITTAL DATA - DUCTED
MMDB018S4-2P
MULTI-ZONE MINI-SPLIT HEAT PUMP

DIMENSIONAL DRAWINGS - INCHES (MM)



¹ NOTE - Outdoor air enters unit AFTER air filter.



NOTE - Due to Lennox' ongoing commitment to quality, Specifications, Ratings and Dimensions subject to change without notice and without incurring liability. Improper installation, adjustment, alteration, service or maintenance can cause property damage or personal injury. Installation and service must be performed by a qualified installer and servicing agency.