



SUBMITTAL DATA – CEILING CASSETTE
MPC009S4S-1P – M22A009S4-2P
 SINGLE ZONE MINI-SPLIT HEAT PUMP

Job: _____
Location: _____
Schedule No.: _____
System Designation: _____

Engineer: _____
Architect: _____
Date: _____
For: Reference Approval Review Construction

FEATURES

Outdoor Unit: MPC009S4S-1P

Indoor Unit: M22A009S4-2P



- DC Inverter Control
- Compressor Overcurrent Protection
- Base Dancer
- Defrost Control

- 360 Airflow Panel
- Pre-Heat Function
- Auto Restart
- Built-In Condensate Pump
- Three Selectable Fan Speeds
- Flare Connections
- LED Readout/Infrared Receiver Panel
- Wireless Remote Included

PIPING

| Line Set and Elevation Guidelines | |
|--|---------|
| Maximum Line Set Length ft. (m) | 98 (30) |
| Maximum Elevation - Outdoor Unit Below/Above Indoor Unit ft. (m) | 66 (20) |
| Liquid Line Set Diameter (in.) | 1/4 |
| Gas Line Set Diameter (in.) | 3/8 |
| Pre-Charged (ft.) | 15 |
| Additional Charge of Refrigerant (oz/ft.) | 0.16 |

PRODUCT WARRANTY

Compressor – Twelve year limited warranty*
 All other covered components - Twelve year limited warranty*
 *Product registration required

OPTIONAL ACCESSORIES

Non-Programmable Controller (M0STAT61Q-1)
 Programmable Controller (M0STAT64Q-2)



NOTE – Due to Lennox' ongoing commitment to quality, Specifications, Ratings, and Dimensions are subject to change without notice and without incurring liability. Improper installation, adjustment, alteration, service or maintenance can cause property damage or personal injury. Installation and service must be performed by a qualified installer and servicing agency.



SUBMITTAL DATA - CEILING **CASSETTE**

MPC009S4S-1P - M22A009S4-2P

SINGLE ZONE MINI-SPLIT HEAT PUMP

OUTDOOR SPECIFICATIONS

| PERFORMANCE | |
|---|-----------------------|
| Cooling Capacity (Min/Max) (Btu/h) ¹ | 9,000 (2,970/10,500) |
| EER | 13 |
| SEER | 20 |
| Heating Capacity (Btu/h) ¹ | 10,000 (2,230/11,650) |
| HSPF | 10.5 |
| Outdoor Fan Total Air Volume (CFM) | 1,295 |
| Ambient Temperature Operating Range | |
| Cooling | -13°F - 122°F |
| Heating | -13°F - 86°F |

| ELECTRICAL DATA | |
|------------------------------------|--------------|
| Power Supply (V/Hz/Φ) | 208-230/60/1 |
| Minimum Circuit Ampacity (A) | 13 |
| Maximum Overcurrent Protection (A) | 15 |
| Outdoor Fan Motor RLA (A) | 0.4 |
| Compressor RLA (A) | 6.4 |
| No. of Compressors | 1 |

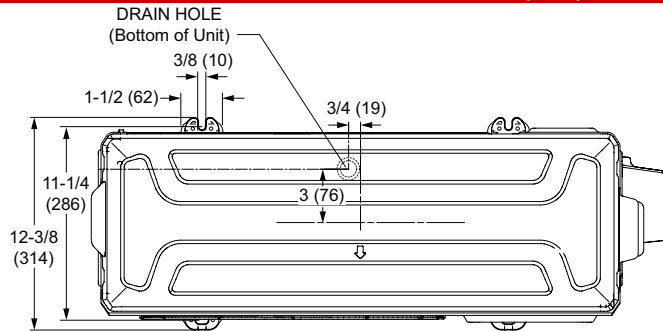
| GENERAL DATA | |
|------------------------------------|--------------|
| Connection Ratio (%) | 100% |
| Max. # of Indoor Units | 1 unit |
| Sound Data (dBA) - Cooling/Heating | 53/53 |
| Refrigerant type | R-410A |
| Factory refrigerant charge | 2 lbs. 6 oz. |

| DIMENSIONS | | |
|----------------------|--------|--------|
| Unit Dimensions (in) | Height | 21-7/8 |
| | Width | 32-1/2 |
| | Depth | 12-3/8 |
| Shipping Weight (lb) | 69 | |
| Net Weight (lb) | 64 | |

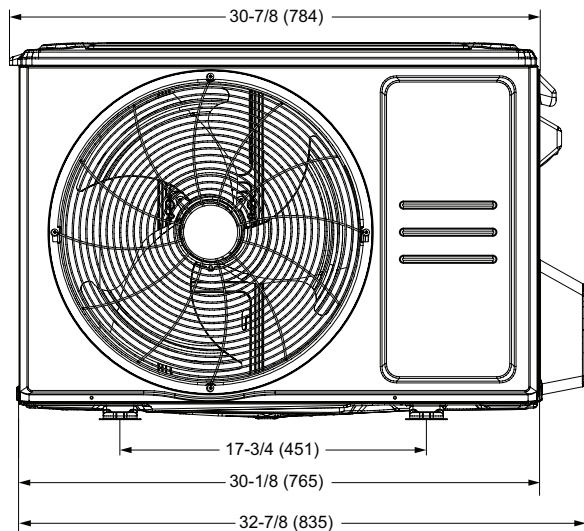
NOTES

1. Cooling and Heating Capacity data is rated at the following conditions:
 Cooling: 80°FDB / 67°FWB Indoor, 95°FDB Outdoor
 Heating: 70°FDB Indoor, 47°FDB / 43°FWB Outdoor

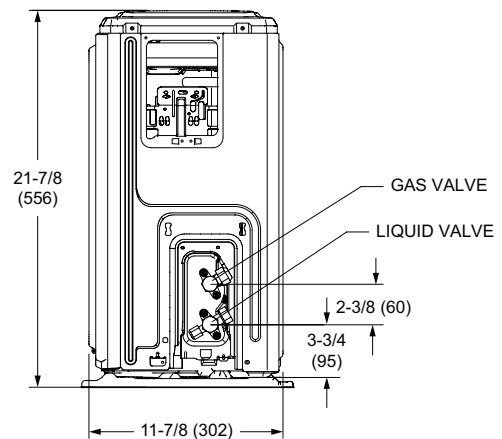
OUTDOOR DIMENSIONAL DRAWINGS - INCHES (MM)



TOP VIEW



FRONT VIEW



SIDE VIEW

NOTE - Due to Lennox' ongoing commitment to quality, Specifications, Ratings, and Dimensions are subject to change without notice and without incurring liability. Improper installation, adjustment, alteration, service or maintenance can cause property damage or personal injury. Installation and service must be performed by a qualified installer and servicing agency.



SUBMITTAL DATA - CEILING CASSETTE

MPC009S4S-1P – M22A009S4-2P

SINGLE ZONE MINI-SPLIT HEAT PUMP

INDOOR SPECIFICATIONS

PERFORMANCE

| | | |
|----------------------|--------|-----|
| Airflow (CFM) | High | 375 |
| | Medium | 300 |
| | Low | 255 |
| Sound Pressure (dBA) | High | 41 |
| | Medium | 37 |
| | Low | 33 |

ELECTRICAL DATA

| | |
|-----------------------|-----------------|
| Power Supply (V/Hz/Φ) | Supplied by ODU |
| Rated load amps (RLA) | 1 |
| Power Output (W) | 46 |

DIMENSIONS

| | | |
|----------------------|-------------------------------|--------|
| Unit Dimensions (in) | Height | 10-3/8 |
| | Width | 21-1/2 |
| | Depth | 20-5/8 |
| | Unit Net/Shipping Weight (lb) | 32/38 |

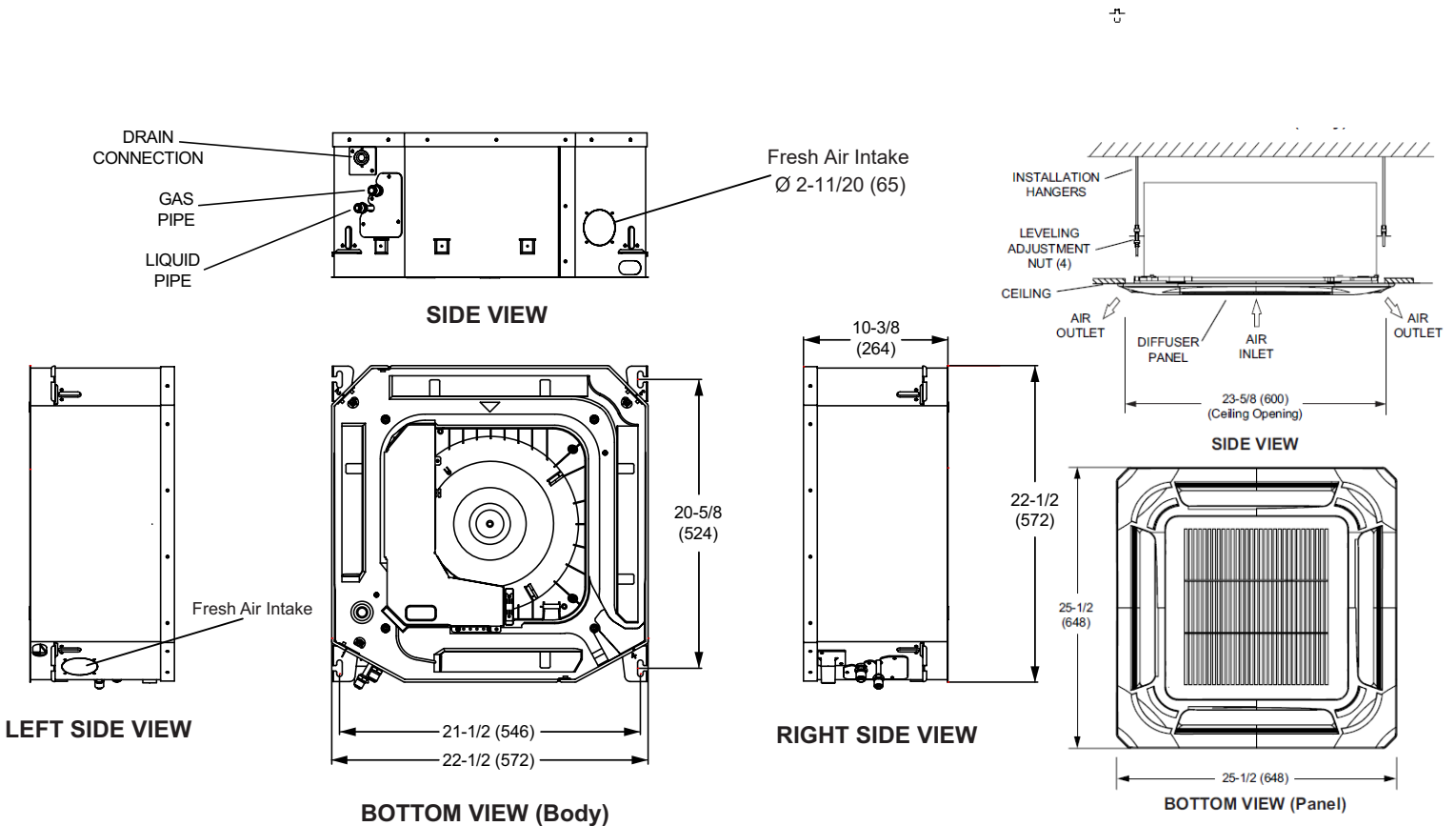
PIPING

| | |
|-----------------------------|-----------|
| Liquid/Gas O.D. Flare (in.) | 1/4 , 3/8 |
| Drain Connection O.D. (in.) | 1 |

Required Component - Ordered Separately

| | |
|--------------------------|-----------------------|
| Cassette Panel | 13 x 04 (MOSTAT62Q-1) |
| Net/Shipping Weight (lb) | 6/10 |

INDOOR DIMENSIONAL DRAWINGS - INCHES (MM)



NOTE – Due to Lennox' ongoing commitment to quality, Specifications, Ratings, and Dimensions are subject to change without notice and without incurring liability. Improper installation, adjustment, alteration, service or maintenance can cause property damage or personal injury. Installation and service must be performed by a qualified installer and servicing agency.