



SUBMITTAL DATA – **FLOOR MOUNT CONSOLE**  
**MPC012S4S-1P – MFMA012S4-1P**  
 SINGLE ZONE MINI-SPLIT HEAT PUMP

**Job:** \_\_\_\_\_  
**Location:** \_\_\_\_\_  
**Schedule No.:** \_\_\_\_\_  
**System Designation:** \_\_\_\_\_

**Engineer:** \_\_\_\_\_  
**Architect:** \_\_\_\_\_  
**Date:** \_\_\_\_\_  
**For:**  Reference  Approval  Review  Construction

**FEATURES**

**Outdoor Unit: MPC012S4S-1P**



- Low Ambient Heating/Cooling
- DC Inverter Control
- Compressor Overcurrent Protection
- Base Dancer
- Defrost Control

**Indoor Unit: MFMA012S4-1P**



- Pre Heat Function
- Auto Restart
- Three Selectable Fan Speeds
- Flare Connections
- LED Readout/Infrared Receiver Panel
- Wireless Remote Included

**PIPING**

**Line Set and Elevation Guidelines**

Maximum Line Set Length ft. (m)	98 ft. (30 m)
Maximum Elevation - Outdoor Unit Below/Above Indoor Unit ft. (m)	66 ft. (20m)
Liquid Line Set Diameter (in.)	1/4
Gas Line Set Diameter (in.)	1/2
Pre-Charged (ft.)	15
Additional Charge of Refrigerant (oz/ft.)	0.16

**PRODUCT WARRANTY**

Compressor – Twelve year limited warranty\*  
 All other covered components - Twelve year limited warranty\*  
 \*Product registration required

**OPTIONAL ACCESSORIES**

Non-Programmable Controller (M0STAT61Q-1)  
 Programmable Controller (M0STAT64Q-2)



NOTE – Due to Lennox' ongoing commitment to quality, Specifications, Ratings, and Dimensions are subject to change without notice and without incurring liability. Improper installation, adjustment, alteration, service or maintenance can cause property damage or personal injury. Installation and service must be performed by a qualified installer and servicing agency.



**SUBMITTAL DATA – FLOOR MOUNT CONSOLE**  
**MPC012S4S-1P – MFMA012S4-1P**  
 SINGLE ZONE MINI-SPLIT HEAT PUMP

**OUTDOOR SPECIFICATIONS**

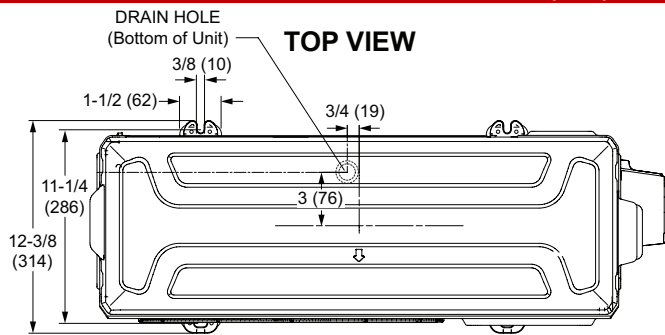
PERFORMANCE	
Cooling Capacity (Btu/h) <sup>1</sup>	12,000
EER	13
SEER	20.5
Heating Capacity (Btu/h) <sup>1</sup>	12,000
HSPF	10
Outdoor Fan Total Air Volume (CFM)	1,295
Ambient Temperature Operating Range	
Cooling	-13°F - 122°F
Heating	-13°F - 86°F
ELECTRICAL DATA	
Power Supply (V/Hz/Φ)	208-230/60/1
Minimum Circuit Ampacity (A)	13
Maximum Overcurrent Protection (A)	15
Outdoor Fan Motor RLA (A)	0.40
Compressor RLA (A)	6.4
No. of Compressors	1

GENERAL DATA		
Connection Ratio (%)	100%	
Max. # of Indoor Units	1 unit	
Sound Data (dBA) - Cooling/Heating	53.5/53.5	
Refrigerant type	R-410A	
Factory refrigerant charge	2 lbs. 6 oz.	
DIMENSIONS		
Unit Dimensions (in)	Height	21-7/8
	Width	32-7/8
	Depth	11-1/4
Shipping Weight (lb)	69	
Net Weight (lb)	64	

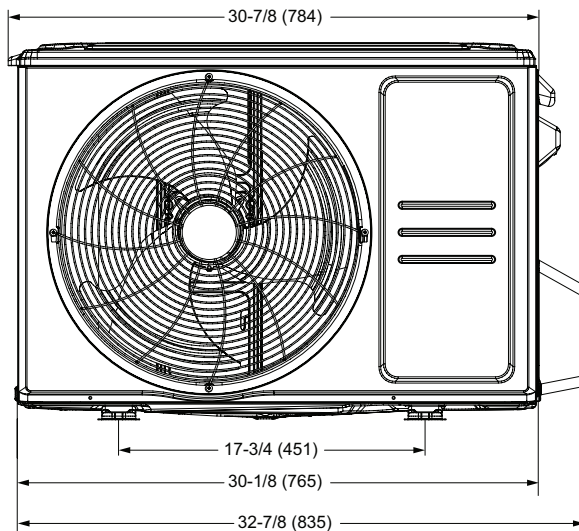
**NOTES**

1. Cooling and Heating Capacity data is rated at the following conditions:  
 Cooling: 80°FDB / 67°FWB Indoor, 95°FDB Outdoor  
 Heating: 70°FDB Indoor, 47°FDB / 43°FWB Outdoor

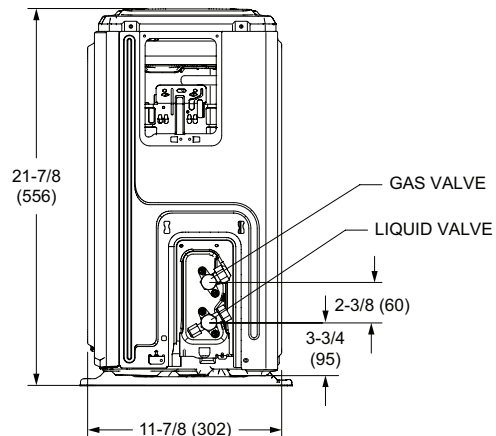
**OUTDOOR DIMENSIONAL DRAWINGS - INCHES (MM)**



**FRONT VIEW**



**SIDE VIEW**



NOTE – Due to Lennox' ongoing commitment to quality, Specifications, Ratings, and Dimensions are subject to change without notice and without incurring liability. Improper installation, adjustment, alteration, service or maintenance can cause property damage or personal injury. Installation and service must be performed by a qualified installer and servicing agency.



**SUBMITTAL DATA – FLOOR MOUNT CONSOLE**  
**MPC012S4S-1P – MFMA012S4-1P**  
 SINGLE ZONE MINI-SPLIT HEAT PUMP

**INDOOR SPECIFICATIONS**

**PERFORMANCE**

Airflow (CFM)	High	365
	Medium	318
	Low	248
External Static Pressure (in. w.g.)		-
Sound Pressure (dBA)	High	43
	Medium	39
	Low	33

**ELECTRICAL DATA**

Power Supply (V/Hz/Φ)	Supplied by ODU
Rated load amps (RLA)	1.07
Power Output (W)	20

**DIMENSIONS**

Unit Dimensions (in)	Height	23-5/8
	Width	27-1/2
	Depth	8-1/4

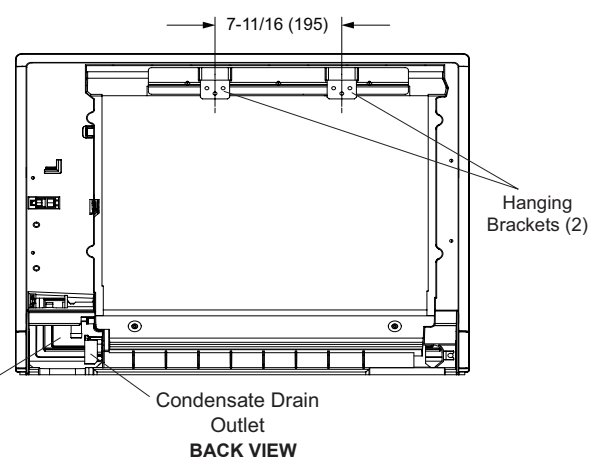
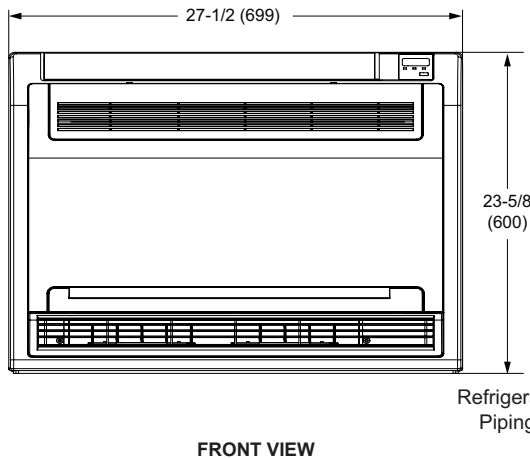
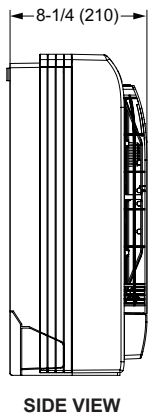
Unit Net/Shipping Weight (lb)	33/42
-------------------------------	-------

**PIPING**

Liquid/Gas O.D. Flare (in.)	1/4 , 1/2
Drain Connection O.D. (in.)	5/8

**INDOOR DIMENSIONAL DRAWINGS - INCHES (MM)**

MFMA012S4



NOTE – Due to Lennox' ongoing commitment to quality, Specifications, Ratings, and Dimensions are subject to change without notice and without incurring liability. Improper installation, adjustment, alteration, service or maintenance can cause property damage or personal injury. Installation and service must be performed by a qualified installer and servicing agency.