



SUBMITTAL DATA – DUCTED
MPC012S4S-1P – MMDB012S4-2P
 SINGLE ZONE MINI-SPLIT HEAT PUMP

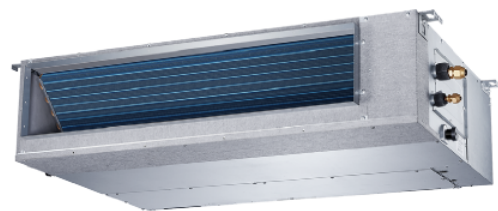
Job: _____
Location: _____
Schedule No.: _____
System Designation: _____

Engineer: _____
Architect: _____
Date: _____
For: Reference Approval Review Construction

FEATURES

Outdoor Unit: MPC012S4S-1P

Indoor Unit: MMDB012S4-2P



- DC Inverter Control
- Compressor Overcurrent Protection
- Base Dancer
- Defrost Control

- Auxiliary Heat Function
- Auto Restart
- Built-In Condensate Pump
- Three Selectable Fan Speeds
- Flare Connections
- LED Readout Panel
- Wired Remote Controller Included

PIPING

Line Set and Elevation Guidelines	
Maximum Line Set Length ft. (m)	98 (30)
Maximum Elevation - Outdoor Unit Below/Above Indoor Unit ft. (m)	66 (20)
Liquid Line Set Diameter (in.)	1/4
Gas Line Set Diameter (in.)	1/2
Pre-Charged (ft.)	15
Additional Charge of Refrigerant (oz/ft.)	0.16

PRODUCT WARRANTY

Compressor – Twelve year limited warranty*
 All other covered components - Twelve year limited warranty*
 *Product registration required

OPTIONAL ACCESSORIES

Hail Guards (M9GARD14Q-1)
 Programmable Controller (M0STAT64Q-2)



NOTE – Due to Lennox' ongoing commitment to quality, Specifications, Ratings, and Dimensions are subject to change without notice and without incurring liability. Improper installation, adjustment, alteration, service or maintenance can cause property damage or personal injury. Installation and service must be performed by a qualified installer and servicing agency.



SUBMITTAL DATA - DUCTED
MPC012S4S-1P – MMDB012S4-2P
 SINGLE ZONE MINI-SPLIT HEAT PUMP

OUTDOOR SPECIFICATIONS

PERFORMANCE	
Cooling Capacity (Btu/h) ¹	12,000 (2,100/13,450)
EER	12.5
SEER	21.5
Heating Capacity (Btu/h) ¹	12,000 (1,900/15,000)
HSPF	10.5
Outdoor Fan Total Air Volume (CFM)	1,295
Ambient Temperature Operating Range	
Cooling	-13°F - 122°F
Heating	-13°F - 86°F

GENERAL DATA	
Connection Ratio (%)	100%
Max. # of Indoor Units	1 unit
Sound Data (dBA) - Cooling/Heating	53.5/53.5
Refrigerant type	R-410A
Factory refrigerant charge	2 lbs. 6 oz.

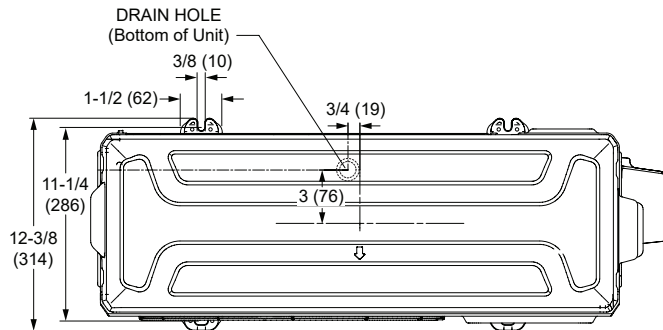
ELECTRICAL DATA	
Power Supply (V/Hz/Φ)	208-230/60/1
Minimum Circuit Ampacity (A)	13
Maximum Overcurrent Protection (A)	15
Outdoor Fan Motor RLA (A)	0.4
Compressor RLA (A)	6.4
No. of Compressors	1

DIMENSIONS		
Unit Dimensions (in)	Height	21-7/8
	Width	32-7/8
	Depth	12-3/8
Shipping Weight (lb)	69	
Net Weight (lb)	64	

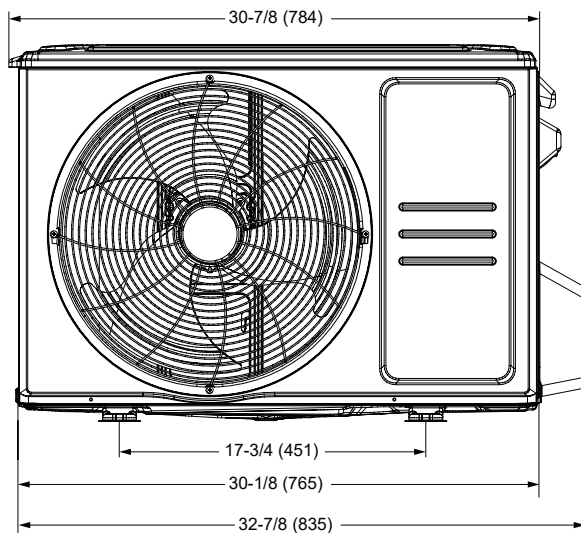
NOTES

1. Cooling and Heating Capacity data is rated at the following conditions:
 Cooling: 80°FDB / 67°FWB Indoor, 95°FDB Outdoor
 Heating: 70°FDB Indoor, 47°FDB / 43°FWB Outdoor

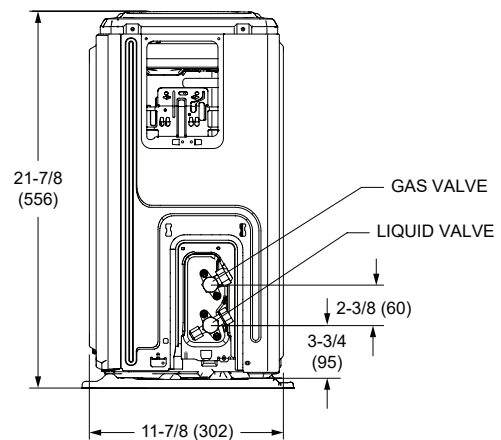
OUTDOOR DIMENSIONAL DRAWINGS - INCHES (MM)



TOP VIEW



FRONT VIEW



SIDE VIEW

NOTE – Due to Lennox' ongoing commitment to quality, Specifications, Ratings, and Dimensions are subject to change without notice and without incurring liability. Improper installation, adjustment, alteration, service or maintenance can cause property damage or personal injury. Installation and service must be performed by a qualified installer and servicing agency.



SUBMITTAL DATA - DUCTED
MPC012S4S-1P – MMDB012S4-2P
 SINGLE ZONE MINI-SPLIT HEAT PUMP

INDOOR SPECIFICATIONS

PERFORMANCE		
Airflow (CFM)	High	353
	Medium	282
	Low	176
External Static Pressure (in. w.g.)		0 - 0.16
Sound Pressure (dBA)	High	38
	Medium	34.5
	Low	31

ELECTRICAL DATA

Power Supply (V/Hz/Φ)	Supplied by ODU
Rated load amps (RLA)	1.37
Power Output (W)	55

DIMENSIONS

Unit Dimensions (in)	Height	7-7/8
	Width	30-3/4
	Depth	19-7/8

Unit Net/Shipping Weight (lb)	38/49
-------------------------------	-------

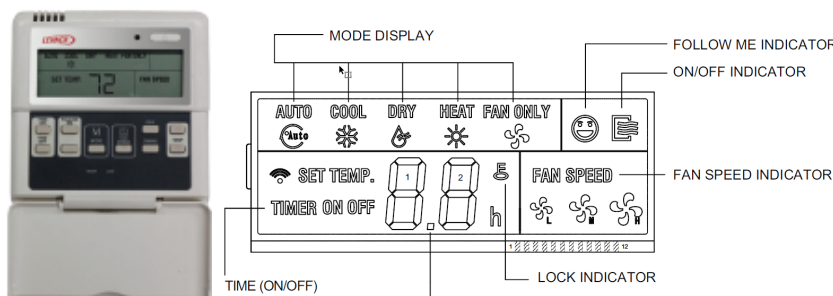
PIPING

Liquid/Gas O.D. Flare (in.)	1/4 , 1/2
Drain Connection O.D. (in.)	1

WIRED REMOTE CONTROLLER SPECIFICATIONS

M0STAT61Q-1	
Input Voltage (V)	5Vdc
Communication Cabling	Factory 4-wire harness
Operating Temperature Range	23°F to 110°F
Operating Humidity Range (RH)	40% ~ 90%
Setpoint Range	62°F ~ 86°F

DISPLAY



INDOOR DIMENSIONAL DRAWINGS - INCHES (MM)

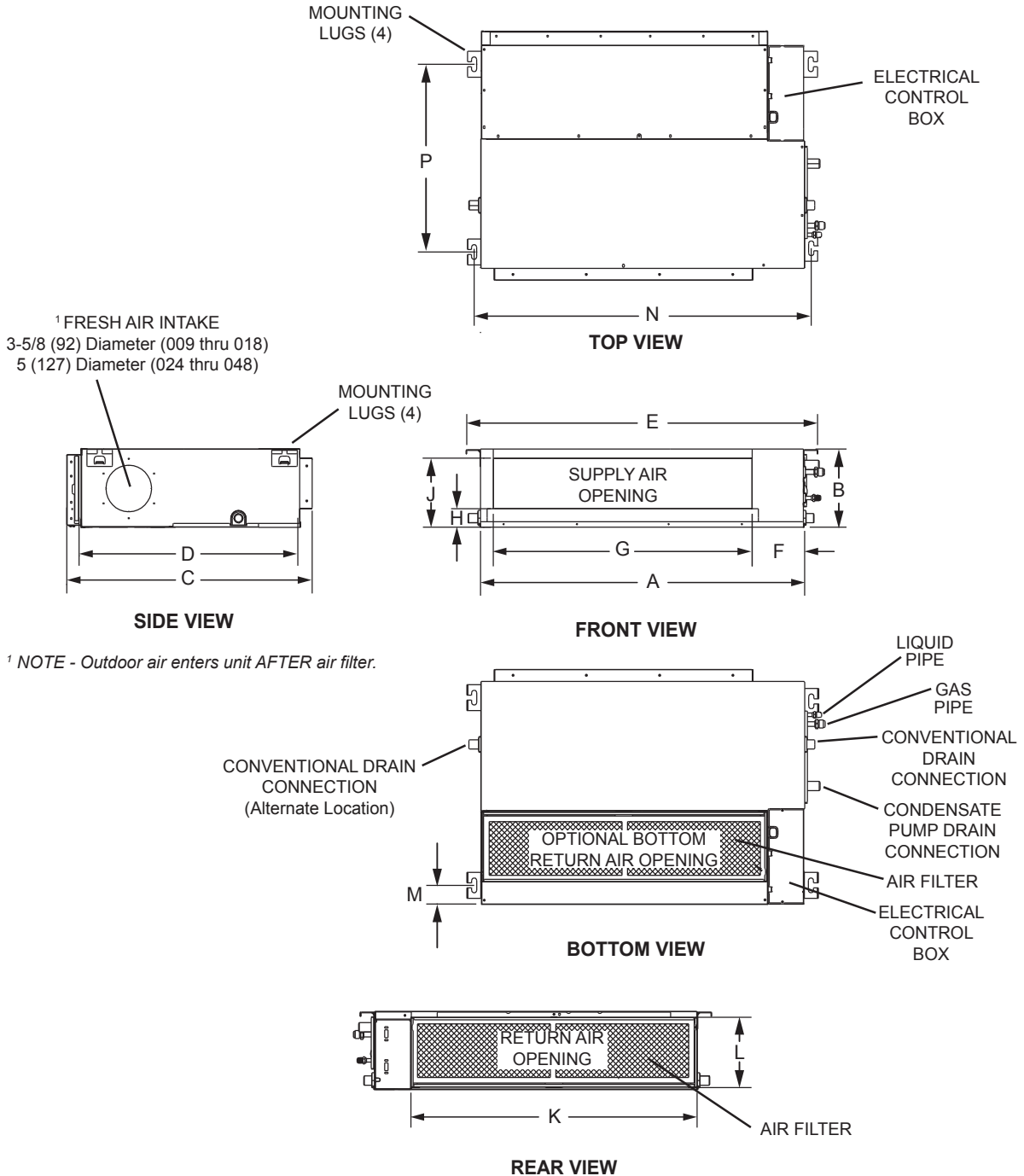
Please See Page 1

NOTE – Due to Lennox' ongoing commitment to quality, Specifications, Ratings, and Dimensions are subject to change without notice and without incurring liability. Improper installation, adjustment, alteration, service or maintenance can cause property damage or personal injury. Installation and service must be performed by a qualified installer and servicing agency.



SUBMITTAL DATA - DUCTED
MPC012S4S-1P - MMDB012S4-2P
 SINGLE ZONE MINI-SPLIT HEAT PUMP

INDOOR DIMENSIONAL DRAWINGS - INCHES (MM)



¹ NOTE - Outdoor air enters unit AFTER air filter.

Size	A		B		C		D		E		F		G		H	
	in.	mm	in.	mm	in.	mm	in.	mm	in.	mm	in.	mm	in.	mm	in.	mm
009 thru 012	27-5/8	702	7-7/8	200	19-7/8	505	17-3/4	451	30-3/4	781	5-3/8	137	21-1/8	537	1-1/8	29
	J		K		L		M		N		P					
	in.	mm	in.	mm	in.	mm	in.	mm	in.	mm	in.	mm	in.	mm		
	6	152	23-5/8	600	7-3/8	187	2	51	29-1/8	740	14-1/8	359				

NOTE - Due to Lennox' ongoing commitment to quality, Specifications, Ratings, and Dimensions are subject to change without notice and without incurring liability. Improper installation, adjustment, alteration, service or maintenance can cause property damage or personal injury. Installation and service must be performed by a qualified installer and servicing agency.