



SUBMITTAL DATA – WALL MOUNTED

MPC024S4S-1P – MWMC024S4-1P

SINGLE ZONE MINI-SPLIT HEAT PUMP

Job: _____
 Location: _____
 Schedule No.: _____
 System Designation: _____

Engineer: _____
 Architect: _____
 Date: _____
 For: Reference Approval Review Construction

FEATURES

Outdoor Unit: MPC024S4S-1P



- DC Inverter Control
- Compressor Overcurrent Protection
- Base Dancer
- Defrost Control

Indoor Unit: MWMC024S4-1P



- Pre-Heat Function
- Auto Restart
- Three Selectable Fan Speeds
- Flare Connections
- LED Readout
- Multi-Refrigerant Outlet
- Wireless Remote Included

PIPING

Line Set and Elevation Guidelines

Maximum Line Set Length ft. (m)	164 (50)
Maximum Elevation - Outdoor Unit Below/Above Indoor Unit ft. (m)	82 (25)
Liquid Line Set Diameter (in.)	3/8
Gas Line Set Diameter (in.)	5/8
Pre-Charged (ft.)	30
Additional Charge of Refrigerant (oz/ft.)	0.32

PRODUCT WARRANTY

Compressor – Twelve year limited warranty*
 All other covered components - Twelve year limited warranty*
 *Product registration required

OPTIONAL ACCESSORIES

Non-Programmable Controller (M0STAT61Q-1)
 Programmable Controller (M0STAT64Q-2)



NOTE – Due to Lennox' ongoing commitment to quality, Specifications, Ratings, and Dimensions are subject to change without notice and without incurring liability. Improper installation, adjustment, alteration, service or maintenance can cause property damage or personal injury. Installation and service must be performed by a qualified installer and servicing agency.



SUBMITTAL DATA - WALL MOUNTED

MPC024S4S-1P - MWMC024S4-1P

SINGLE ZONE MINI-SPLIT HEAT PUMP

OUTDOOR SPECIFICATIONS

PERFORMANCE	
Cooling Capacity (Max/Min) (Btu/h) ¹	24,000 (26,800/9,200)
EER	14.0
SEER	22.0
Heating Capacity (Max/Min) (Btu/h) ¹	25,000 (27,000/10,350)
HSPF	12.0
Outdoor Fan Total Air Volume (CFM)	1,295
Ambient Temperature Operating Range	
Cooling	-13°F - 122°F
Heating	-13°F - 86°F

GENERAL DATA	
Connection Ratio (%)	100%
Max. # of Indoor Units	1 unit
Sound Data (dBA) - Cooling/Heating	60/60
Refrigerant type	R-410A
Factory refrigerant charge	5 lbs. 3 oz.

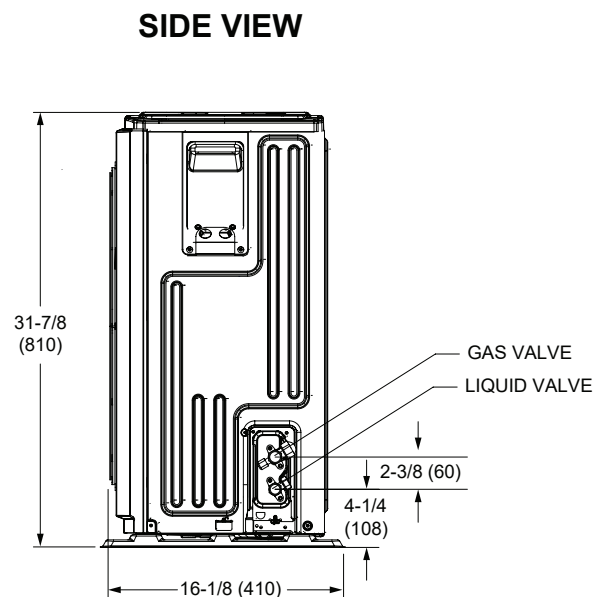
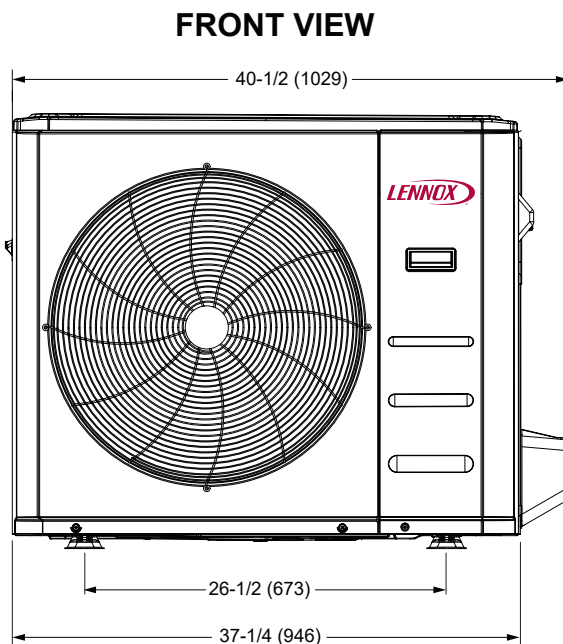
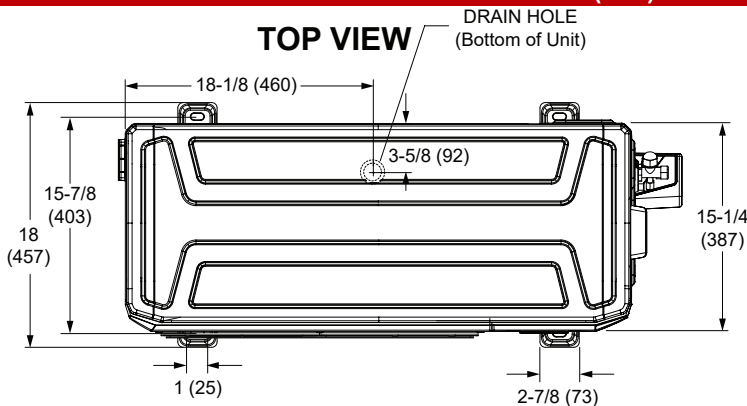
ELECTRICAL DATA	
Power Supply (V/Hz/Φ)	208-230/60/1
Minimum Circuit Ampacity (A)	22
Maximum Overcurrent Protection (A)	30
Outdoor Fan Motor RLA (A)	0.5
Compressor RLA (A)	13
No. of Compressors	1

DIMENSIONS		
Unit Dimensions (in)	Height	31-7/8
	Width	40-1/2
	Depth	18
Shipping Weight (lb)	135	
Net Weight (lb)	125	

NOTES

- Cooling and Heating Capacity data is rated at the following conditions:
 Cooling: 80°FDB / 67°FWB Indoor, 95°FDB Outdoor
 Heating: 70°FDB Indoor, 47°FDB / 43°FWB Outdoor

OUTDOOR DIMENSIONAL DRAWINGS - INCHES (MM)



NOTE - Due to Lennox' ongoing commitment to quality, Specifications, Ratings, and Dimensions are subject to change without notice and without incurring liability. Improper installation, adjustment, alteration, service or maintenance can cause property damage or personal injury. Installation and service must be performed by a qualified installer and servicing agency.



SUBMITTAL DATA – WALL MOUNTED

MPC024S4S-1P – MWMC024S4-1P

SINGLE ZONE MINI-SPLIT HEAT PUMP

INDOOR SPECIFICATIONS

PERFORMANCE

AIR FLOW (CFM)	High	611
	Medium	414
	Low	319
SOUND PRESSURE (dBA)	High	44
	Medium	39.5
	Low	34

ELECTRICAL DATA

Power Supply (V/Hz/Φ)	Supplied by ODU
Rated Load Amps (RLA)	0.50
Power Output (W)	58

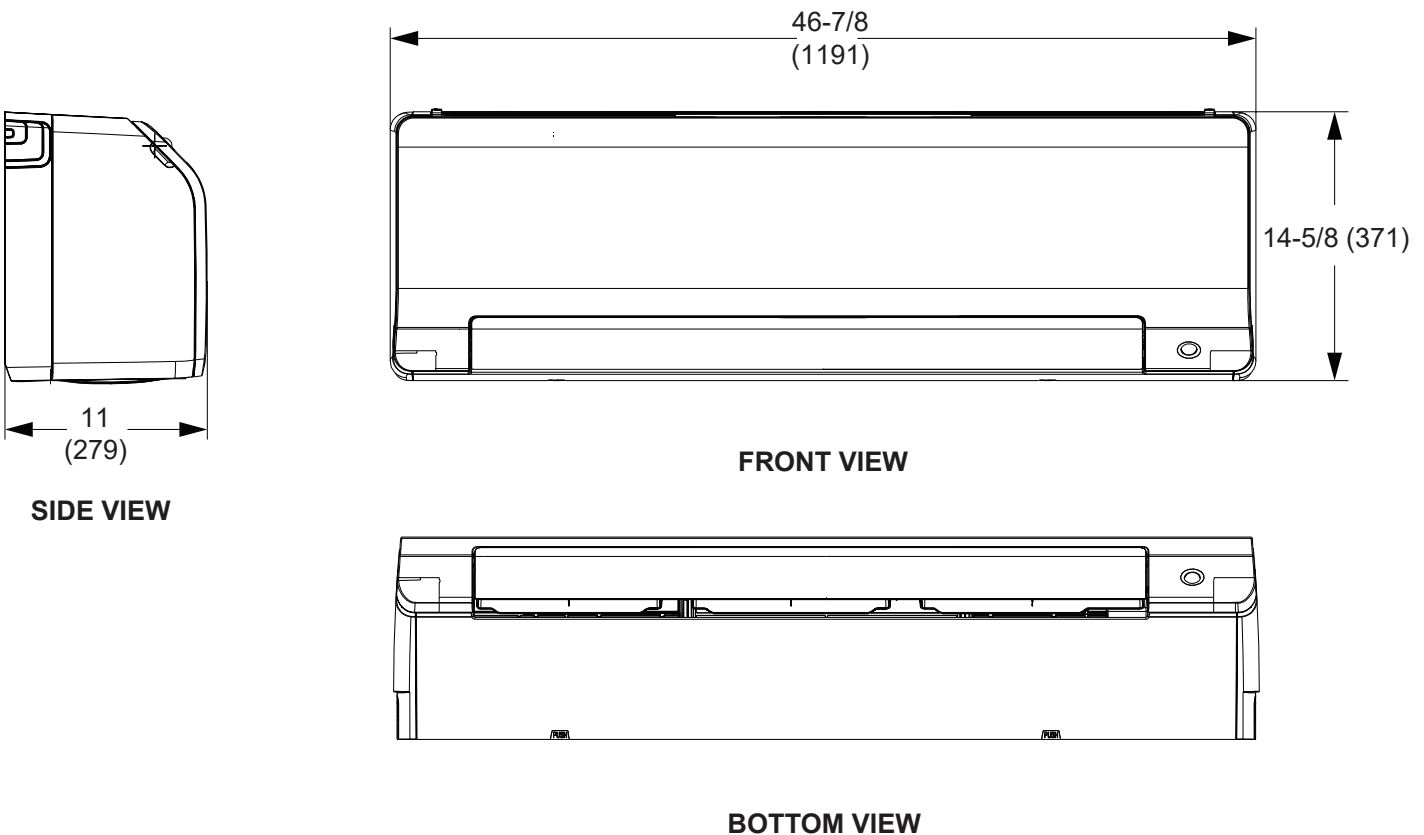
DIMENSIONS

Unit Dimensions (in)	Height	14-5/8
	Width	46-7/8
	Depth	11
Shipping Weight (lb)		55
Net Weight (lb)		44

NOTES

1. Cooling and Heating Capacity data is rated at the following conditions:
 Cooling: 80°FDB / 67°FWB Indoor, 95°FDB Outdoor
 Heating: 70°FDB Indoor, 47°FDB / 43°FWB Outdoor

INDOOR DIMENSIONAL DRAWINGS - INCHES (MM)



NOTE – Due to Lennox' ongoing commitment to quality, Specifications, Ratings, and Dimensions are subject to change without notice and without incurring liability. Improper installation, adjustment, alteration, service or maintenance can cause property damage or personal injury. Installation and service must be performed by a qualified installer and servicing agency.