



SUBMITTAL DATA – CEILING/**FLOOR**

MPC036S4S-1P – MCFB036S4-1P

SINGLE ZONE MINI-SPLIT HEAT PUMP

Job: _____
Location: _____
Schedule No.: _____
System Designation: _____

Engineer: _____
Architect: _____
Date: _____
For: Reference Approval Review Construction

FEATURES

Outdoor Unit: MPC036S4S-1P



- DC Inverter Control
- Compressor Overcurrent Protection
- Base Dancer
- Defrost Control

Indoor Unit: MCFB036S4-1P



- Pre Heat Function
- Auto Restart
- Three Selectable Fan Speeds
- Flare Connections
- LED Readout/Infrared Receiver Panel
- Multi-Refrigerant Outlet
- Wireless Remote Included

PIPING

Line Set and Elevation Guidelines

Maximum Line Set Length ft. (m)	213 ft. (65 m)
Maximum Elevation - Outdoor Unit Below/Above Indoor Unit ft. (m)	98 ft. (30 m)
Liquid Line Set Diameter (in.)	3/8
Gas Line Set Diameter (in.)	5/8
Pre-Charged (ft.)	25
Additional Charge of Refrigerant (oz/ft.)	0.32

PRODUCT WARRANTY

Compressor – Twelve year limited warranty*
 All other covered components - Twelve year limited warranty*
 *Product registration required

OPTIONAL ACCESSORIES

Non-Programmable Controller (M0STAT61Q-1)
 Programmable Controller (M0STAT64Q-2)



NOTE – Due to Lennox' ongoing commitment to quality, Specifications, Ratings, and Dimensions are subject to change without notice and without incurring liability. Improper installation, adjustment, alteration, service or maintenance can cause property damage or personal injury. Installation and service must be performed by a qualified installer and servicing agency.



SUBMITTAL DATA - CEILING/FLOOR

MPC036S4S-1P - MCFB036S4-1P

SINGLE ZONE MINI-SPLIT HEAT PUMP

OUTDOOR SPECIFICATIONS

PERFORMANCE

Cooling Capacity (Btu/h) ¹	36,000
EER	8
SEER	16
Heating Capacity (Btu/h) ¹	36,000
HSPF	10
Outdoor Fan Total Air Volume (CFM)	2,120
Ambient Temperature Operating Range	
Cooling	-13°F - 122°F
Heating	-13°F - 86°F

ELECTRICAL DATA

Power Supply (V/Hz/Φ)	208-230/60/1
Minimum Circuit Ampacity (A)	30
Maximum Overcurrent Protection (A)	45
No. of Compressors	1

GENERAL DATA

Connection Ratio (%)	100%
Max. # of Indoor Units	1 unit
Sound Data (dBA) - Cooling/Heating	65/65
Refrigerant type	R-410A
Factory refrigerant charge	7 lbs. 1 oz.

DIMENSIONS

Unit Dimensions (in)	Height	31-7/8
	Width	37-1/4
	Depth	15-7/8
Shipping Weight (lb)	166	
Net Weight (lb)	155	

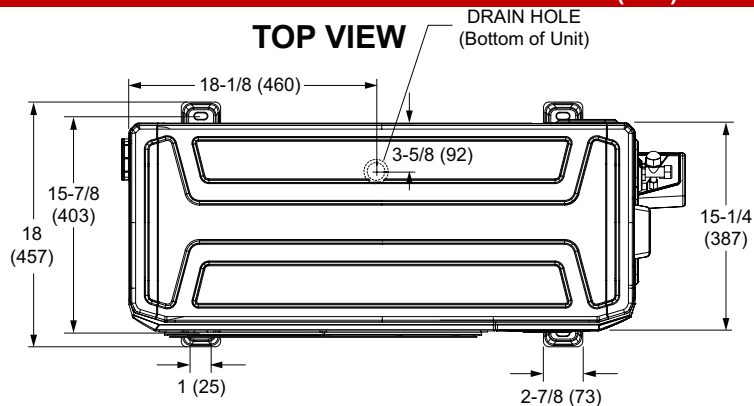
NOTES

1. Cooling and Heating Capacity data is rated at the following conditions:

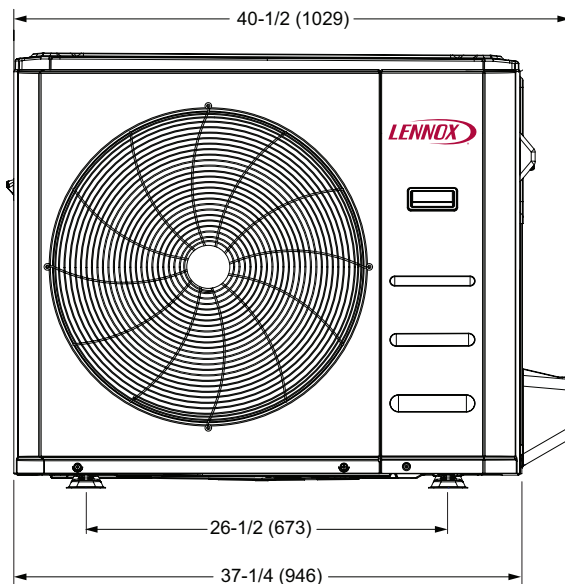
Cooling: 80°FDB / 67°FWB Indoor, 95°FDB Outdoor

Heating: 70°FDB Indoor, 47°FDB / 43°FWB Outdoor

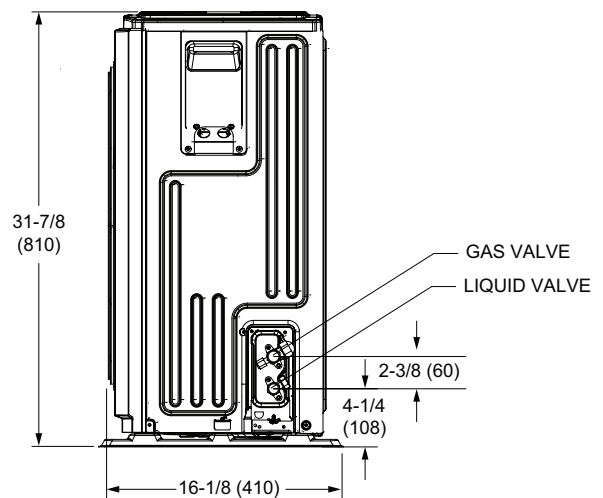
OUTDOOR DIMENSIONAL DRAWINGS - INCHES (MM)



FRONT VIEW



SIDE VIEW



NOTE - Due to Lennox' ongoing commitment to quality, Specifications, Ratings, and Dimensions are subject to change without notice and without incurring liability. Improper installation, adjustment, alteration, service or maintenance can cause property damage or personal injury. Installation and service must be performed by a qualified installer and servicing agency.



SUBMITTAL DATA - CEILING/FLOOR

MPC036S4S-1P – MCFB036S4-1P

SINGLE ZONE MINI-SPLIT HEAT PUMP

INDOOR SPECIFICATIONS

PERFORMANCE

Airflow (CFM)	High	1035
	Medium	915
	Low	640
External Static Pressure (in. w.g.)		-
Sound Pressure (dBA)	High	52
	Medium	48
	Low	41

ELECTRICAL DATA

Power Supply (V/Hz/Φ)	Supplied by ODU
Rated load amps (RLA)	1.5
Power Output (W)	115

DIMENSIONS

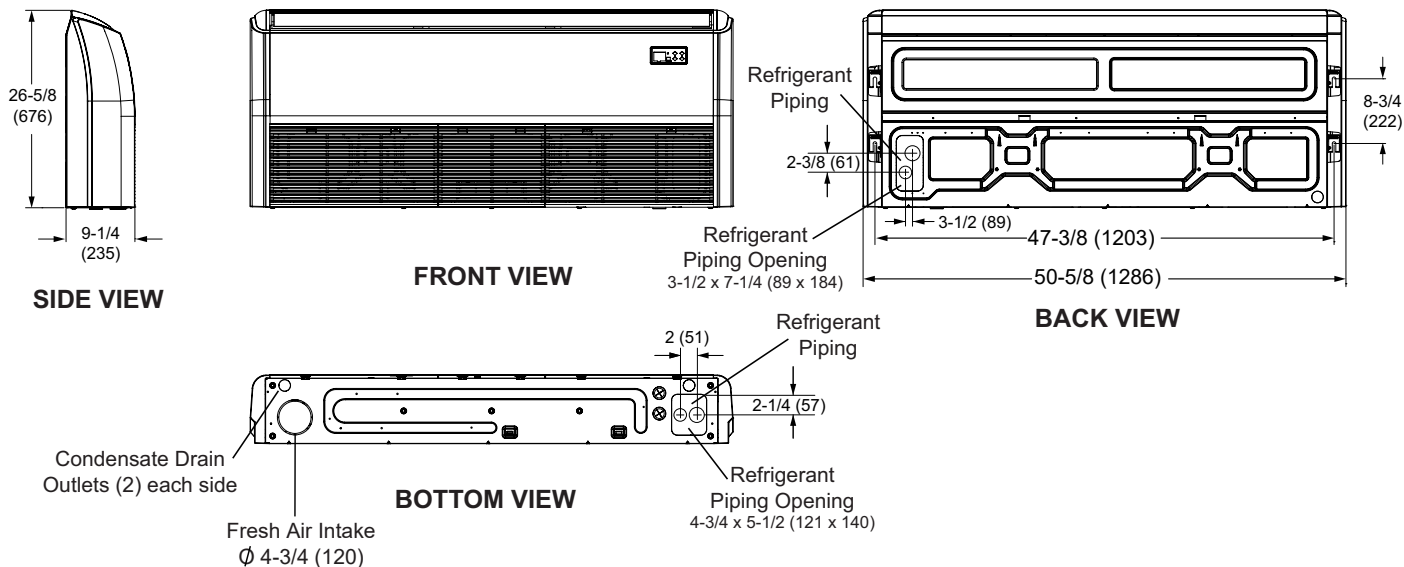
Unit Dimensions (in)	Height	9-1/4
	Width	50-5/8
	Depth	26-5/8

Unit Net/Shipping Weight (lb)	69/82
-------------------------------	-------

PIPING

Liquid/Gas O.D. Flare (in.)	3/8 , 5/8
Drain Connection O.D. (in.)	1

INDOOR DIMENSIONAL DRAWINGS - INCHES (MM)



NOTE – Due to Lennox' ongoing commitment to quality, Specifications, Ratings, and Dimensions are subject to change without notice and without incurring liability. Improper installation, adjustment, alteration, service or maintenance can cause property damage or personal injury. Installation and service must be performed by a qualified installer and servicing agency.