



# SUBMITTAL DATA - INDOOR UNIT

## VCFA015S4-2P

VRF HEAT PUMP & HEAT RECOVERY

**Job:** \_\_\_\_\_

**Location:** \_\_\_\_\_

**Schedule No.:** \_\_\_\_\_

**System Designation:** \_\_\_\_\_

**Engineer:** \_\_\_\_\_

**Architect:** \_\_\_\_\_

**Date:** \_\_\_\_\_

**For:** Reference Approval Review Construction

## Ceiling/Floor Indoor Unit

### FEATURES

- Pre Heat Function
- Auto Swing Louvers
- Flare Connections
- Refrigerant R-410A
- Auto Addressing
- Electronic Expansion Valve
- LED Display
- Eight capacity sizes from 12,000 to 54,000 Btu/h
- Auto Restart
- Washable Filter

### SPECIFICATIONS

#### PERFORMANCE

Cooling Capacity <sup>1</sup> (Btu/h)		16,000
Heating Capacity <sup>1</sup> (Btu/h)		17,100
Airflow (CFM)	High	441
	Medium	383
	Low	324
External Static Pressure (in. WC)		-
Sound Pressure (dBA)	High	43
	Medium	41
	Low	38

#### ELECTRICAL DATA

Power Supply (V/Hz/Φ)	208-230/60/1
Minimum circuit ampacity (MCA)	0.9
Max. Overcurrent Protection (MOCP)	15
Cooling Power Input <sup>2</sup> (W)	170
Cooling Rated current (A)	0.8
Heating Power Input <sup>2</sup> (W)	170
Heating Rated current (A)	0.8
Indoor Fan Motor Input (W)	140

#### DIMENSIONS

Unit Dimensions (in)	Height	26
	Width	39
	Depth	8-1/8
Liquid Pipe Connection (in)		1/4
Gas Pipe Connection (in)		1/2
Condensate drain connection (in)		(1) 5/8
Unit Shipping Weight (lb)		75
Unit Net Weight (lb)		62



### OPTIONAL ACCESSORIES

<input type="checkbox"/> Non-Programmable Controller	V0STAT54P
<input type="checkbox"/> Programmable Controller	V0STAT51P
<input type="checkbox"/> Infrared Wireless Controller	V0STAT52P-1
<input type="checkbox"/> Infrared Sensor	V0SNSR78P-1
<input type="checkbox"/> HHE Relay Kit	V0CTRL92P-1
<input type="checkbox"/> Hotel Keycard Interface	V0CTRL88P-1

### NOTES

- Cooling and Heating capacity data is rated at the following conditions:  
Cooling: 80°FDB / 67°FWB Indoor, 95°FDB Outdoor  
Heating: 70°FDB Indoor, 47°FDB / 43°FWB Outdoor
- Power Input values are rated at high fan speed.

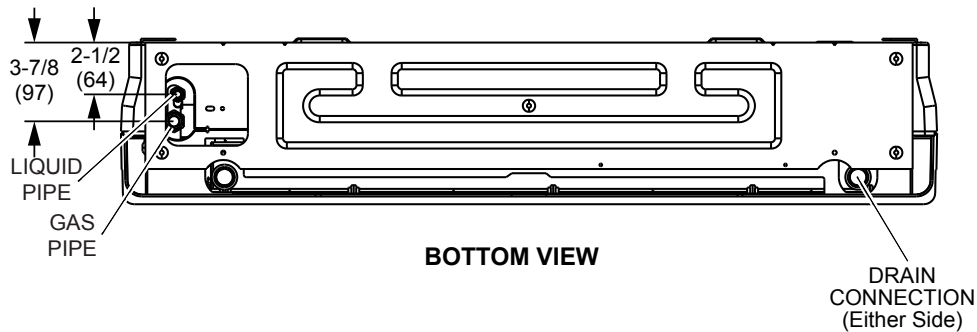
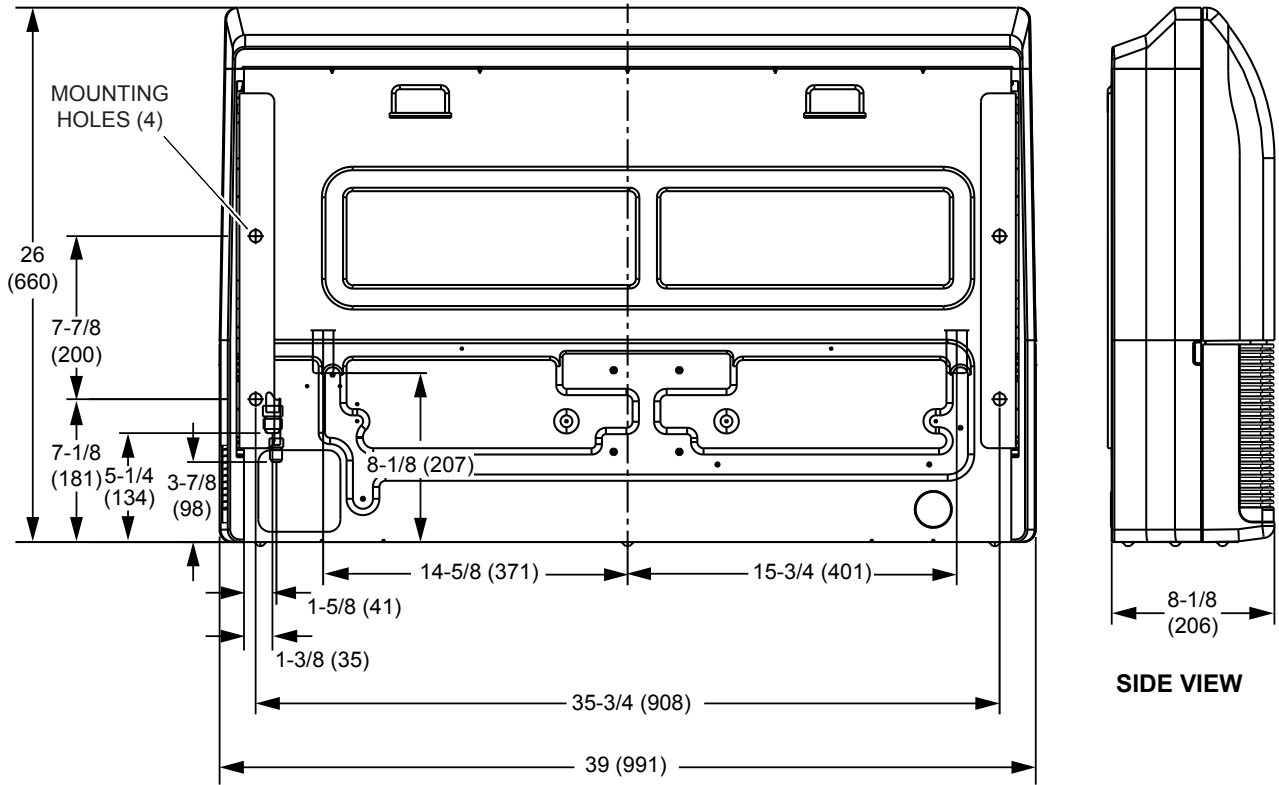
NOTE – Due to Lennox' ongoing commitment to quality, Specifications, Ratings and Dimensions subject to change without notice and without incurring liability. Improper installation, adjustment, alteration, service or maintenance can cause property damage or personal injury. Installation and service must be performed by a qualified installer and servicing agency.





SUBMITTAL DATA - INDOOR UNIT  
**VCFA015S4-2P**  
VRF HEAT PUMP & HEAT RECOVERY

**DIMENSIONAL DRAWINGS - INCHES (MM)**



NOTE - Due to Lennox' ongoing commitment to quality, Specifications, Ratings and Dimensions subject to change without notice and without incurring liability. Improper installation, adjustment, alteration, service or maintenance can cause property damage or personal injury. Installation and service must be performed by a qualified installer and servicing agency.