



SUBMITTAL DATA - **OUTDOOR UNIT**

VPA240L4M-2Y

VPA120L4M-2Y + VPA120L4M-2Y

LOW AMBIENT HEATING VRF HEAT PUMP

Job: _____

Location: _____

Schedule No.: _____

System Designation: _____

Engineer: _____

Architect: _____

Date: _____

For: Reference Approval Review Construction

FEATURES

- Built-in Base Pan Heater
- Hinged electrical box for ease of maintenance
- High efficiency DC Inverter scroll compressor
- Two-pipe heat pump

SPECIFICATIONS

PERFORMANCE

Cooling Capacity ¹ (Btu/h)	Nominal	240,000
	Rated ²	230,000
EER	Ducted	10.60
	Non-Ducted	11.10
IEER	Ducted	19.40
	Non-Ducted	19.70
Heating Capacity ¹ (Btu/h)		240,000
COP ₄₇	Ducted	3.43
	Non-Ducted	3.56
COP ₁₇	Ducted	2.21
	Non-Ducted	2.28

ELECTRICAL DATA

Power Supply ³ (V/Hz/Ph)	208-230/60/3
Minimum Circuit Ampacity (A)	68.2 + 68.2
Maximum Overcurrent Protection (A)	90 + 90
Compressor RLA (A)	26/25 + 26/25
No. of Compressors	2 + 2
Outdoor Fan Power Input (W)	(2) 750/750
Outdoor Fan FLA (A)	(2) 4.1/4.1

GENERAL DATA

Connection Ratio	50% to 130%
Max # of Indoor Units	39 units
Refrigerant type	R-410A
Factory refrigerant charge	22 lbs.

DIMENSIONS

Unit Dimensions (in)	Height	63-1/8
	Width	49-1/4
	Depth	30-1/8
Liquid Pipe Connection (in.)		1/2
Gas Pipe Connection (in.)		7/8
Net Weight (lb)		(2) 770



WARRANTY⁴

- Compressor - 10 year limited warranty
- All other components - 10 year limited warranty

NOTES

1. Cooling and Heating Capacity data is rated at the following conditions:
Cooling: 80°FDB / 67°FWB Indoor, 95°FDB Outdoor
Heating: 70°FDB Indoor, 47°FDB / 43°FWB Indoor
2. Complies with AHRI 1230-2014 testing standards
3. Operating Voltage Range: 191V to 247V
4. See Warranty for Details





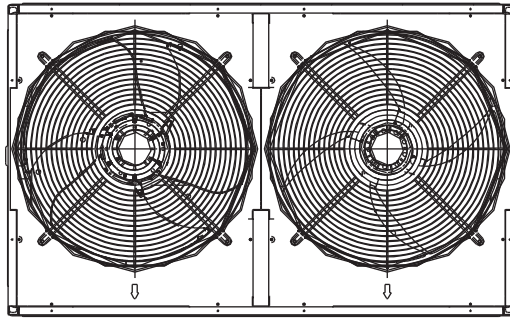
SUBMITTAL DATA - **OUTDOOR**

UNIT VPA240L4M-2Y

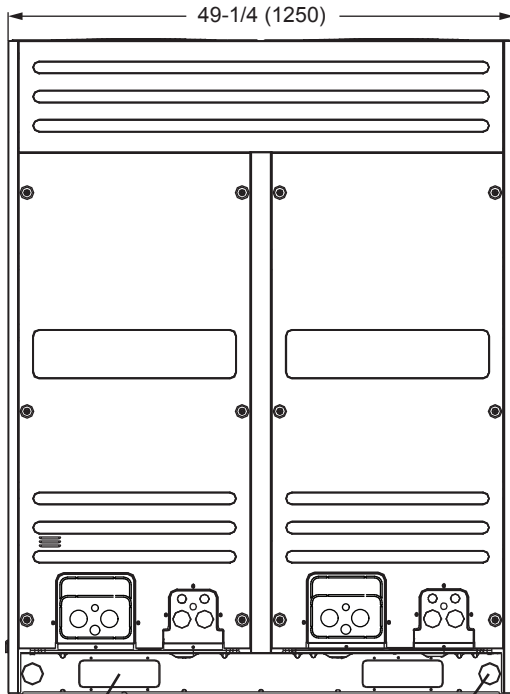
VPA120L4M-2Y + VPA120L4M-2Y

LOW AMBIENT HEATING VRF HEAT PUMP

DIMENSIONS - INCHES (MM)



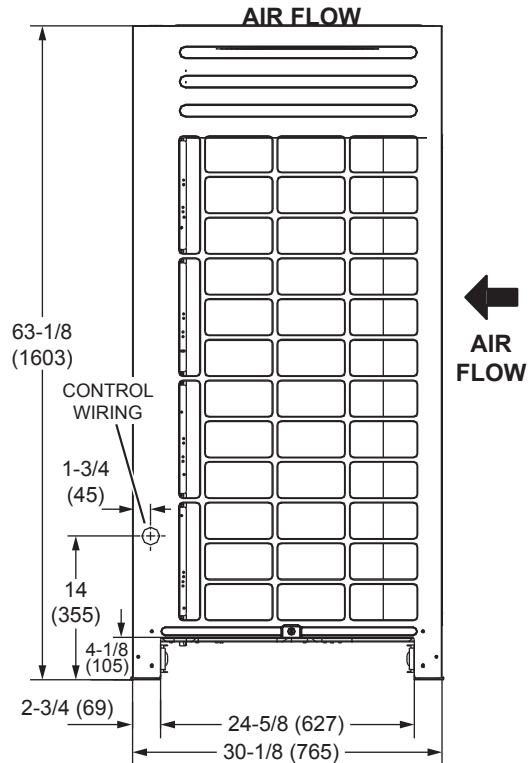
TOP VIEW



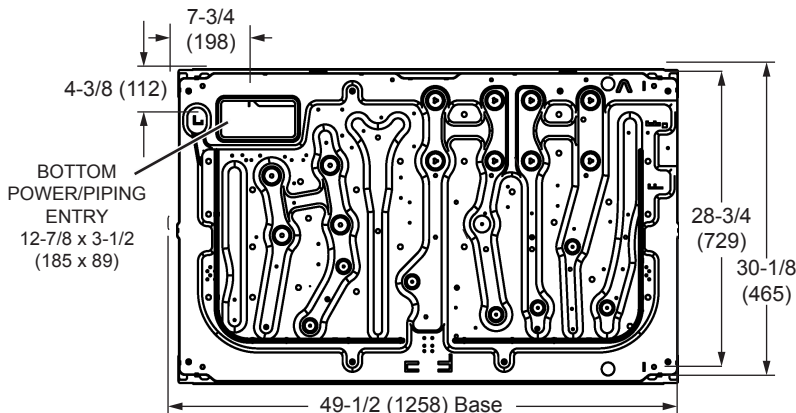
FORKLIFT SLOT
(BOTH SIDES)

LIFTING HOLES
(FOR RIGGING)

FRONT VIEW



SIDE VIEW



BASE VIEW

DISCLAIMER – Due to Lennox' ongoing commitment to quality, Specifications, Ratings and Dimensions subject to change without notice and without incurring liability. Improper installation, adjustment, alteration, service or maintenance can cause property damage or personal injury. Installation and service must be performed by a qualified installer and servicing agency.

495590 (201808)

©2018 Lennox Industries Inc.