



VRF

SUBMITTAL DATA - OUTDOOR UNIT VPB048H4M-3P Mini-VRF Heat Pump

Job: _____
 Location: _____
 Schedule No.: _____
 System Designation: _____

Engineer: _____
 Architect: _____
 Location: _____
 Date: _____

Heat Pump Outdoor Unit

For: Reference Approval Review Construction

FEATURES

- Two-pipe heat pump
- High efficiency twin rotary compressor
- Intelligent soft start
- Built-in base pan heater
- Power meter interface

WARRANTY

- Compressor - 10-year limited warranty
 - All other components - 10-year limited warranty
- *See warranty for details

SPECIFICATIONS

PERFORMANCE

| | | |
|---------------------------------------|--------------------|--------|
| Cooling Capacity ¹ (Btu/h) | Nominal | 48,000 |
| | Rated ² | 48,000 |
| EER | Ducted | 10.4 |
| | Non-Ducted | 11 |
| SEER | Ducted | 17.8 |
| | Non-Ducted | 19 |
| Heating Capacity ¹ (Btu/h) | | 52500 |
| | HSPF | Ducted |
| | Non-Ducted | 11 |

ELECTRICAL DATA

| | |
|------------------------------------|--------------|
| Power Supply (Volts/Phase/Hertz) | 208-230/1/60 |
| Minimum Circuit Ampacity (A) | 38 |
| Maximum Overcurrent Protection (A) | 40 |
| Compressor RLA (A) | 28.2 |
| Number of Compressors | 1 |
| Outdoor Fan Power Output (W) | 90+90 |
| Outdoor Fan FLA (A) | 1.2/1.2 |

GENERAL DATA

| | |
|--|-------------|
| Connection Ratio | 45% to 130% |
| Maximum Number of Indoor Units | 7 |
| Outdoor Fan Total Air Volume (cfm) | 4100 |
| Sound Pressure Level (dBA) | 61 |
| Refrigerant Type | R-410A |
| Factory Refrigerant Charge (each unit) | 8.6 lbs. |

NOTES

1. Cooling and Heating capacity data is rated at the following conditions:
 Cooling: 80°FDB / 67°FWB Indoor, 95°FDB Outdoor
 Heating: 70°FDB Indoor, 47°FDB / 43°FWB Outdoor
2. Complies with AHRI 210/240 testing standards
3. Operating Voltage Range 191V to 247V



DIMENSIONS

| | | |
|-----------------|--------|--------|
| Unit | Height | 52-1/4 |
| Dimensions (in) | Width | 35-3/8 |
| | Depth | 13-1/4 |

Main System Piping (in)

| | |
|----------------------------|-----|
| Liquid Pipe Connection | 3/8 |
| Gas Pipe Connection | 3/4 |
| Unit Net Weight (lb) | 220 |
| Unit Shipping Weight (lb.) | 245 |

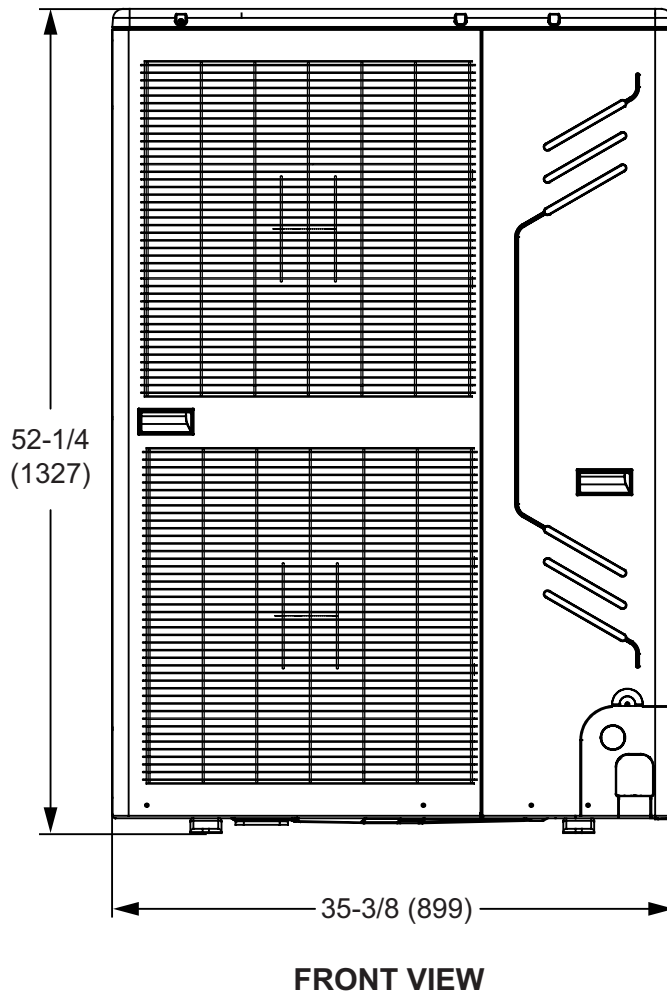
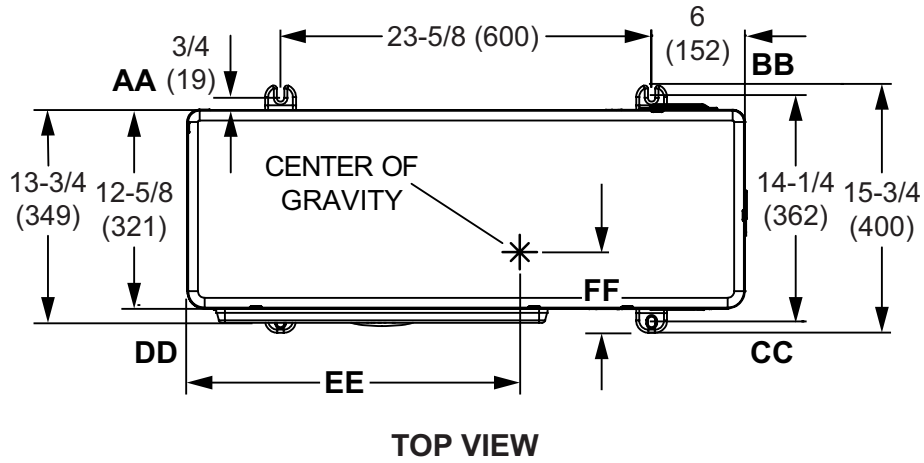


NOTE - Due to Lennox' ongoing commitment to quality, Specifications, Ratings and Dimensions subject to change without notice and without incurring liability. Improper installation, adjustment, alteration, service or maintenance can cause property damage or personal injury. Installation and service must be performed by a qualified installer and servicing agency.

495829 (202007)

©2020 Lennox Industries Inc.

DIMENSIONAL DRAWINGS - INCHES (MM)



NOTE - Due to Lennox' ongoing commitment to quality, Specifications, Ratings and Dimensions subject to change without notice and without incurring liability. Improper installation, adjustment, alteration, service or maintenance can cause property damage or personal injury. Installation and service must be performed by a qualified installer and servicing agency.