

Job: _____
 Location: _____
 Schedule No.: _____
 System Designation: _____

Engineer: _____
 Architect: _____
 Location: _____
 Date: _____

Heat Pump Outdoor Unit

For: Reference Approval Review Construction

FEATURES

- Split coil heat exchanger
- Dual hinged electrical boxes for ease of maintenance
- High-efficiency vapor injection inverter compressor
- Intelligent Duty Cycle operation
- Night Silent operation
- Hinged service doors
- Built-in service console
- Built-in base pan heater
- Heating Operation down to -22F
- Low Ambient Cooling down to -10F w/ kit

WARRANTY

- Compressor - 10-year limited warranty
 - All other components - 10-year limited warranty
- *See warranty for details

SPECIFICATIONS

PERFORMANCE

| | | |
|---------------------------------------|--------------------|--------|
| Cooling Capacity ¹ (Btu/h) | Nominal | 72,000 |
| | Rated ² | 69,000 |
| EER | Ducted | 12.8 |
| | Non-Ducted | 14.8 |
| IEER | Ducted | 22.8 |
| | Non-Ducted | 25.4 |
| Heating Capacity ¹ (Btu/h) | Nominal | 81,000 |
| | Rated ² | 77,000 |
| COP47 | Ducted | 3.84 |
| | Non-Ducted | 4.29 |
| COP17 | Ducted | 2.43 |
| | Non-Ducted | 2.62 |

ELECTRICAL DATA

| | |
|------------------------------------|----------|
| Power Supply (Volts/Phase/Hertz) | 460/3/60 |
| Minimum Circuit Ampacity (A) | 27.5 |
| Maximum Overcurrent Protection (A) | 30 |
| Compressor RLA (A) | 19.4 |
| Number of Compressors | 1 |
| Outdoor Fan Power Input (W) | 750/850 |

GENERAL DATA

| | |
|--|-------------|
| Connection Ratio | 50% to 130% |
| Maximum Number of Indoor Units | 13 |
| Refrigerant Type | R-410A |
| Factory Refrigerant Charge (each unit) | 23.8 lbs. |

NOTES

1. Cooling and Heating capacity data is rated at the following conditions:
 Cooling: 80°FDB / 67°FWB Indoor, 95°FDB Outdoor
 Heating: 70°FDB Indoor, 47°FDB / 43°FWB Outdoor.
2. Complies with AHRI 1230-2014 testing standards
3. Operating Voltage Range 410V to 525V
4. To achieve cooling lower than 5°F a Low ambient hood must be installed. This is purchased as an accessory.
5. A local 115V power outlet is available as an accessory to provide local power for maintenance.



DIMENSIONS (Each Module)

| | | |
|-----------------|--------|--------|
| Unit | Height | 64-3/8 |
| Dimensions (in) | Width | 52-3/4 |
| | Depth | 31-1/2 |

Main System Piping (in)

| | |
|------------------------|-----|
| Liquid Pipe Connection | 5/8 |
| Gas Pipe Connection | 1 |

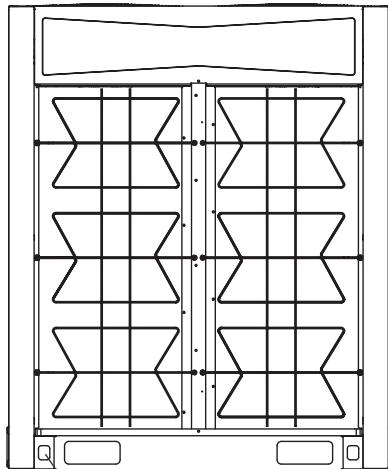
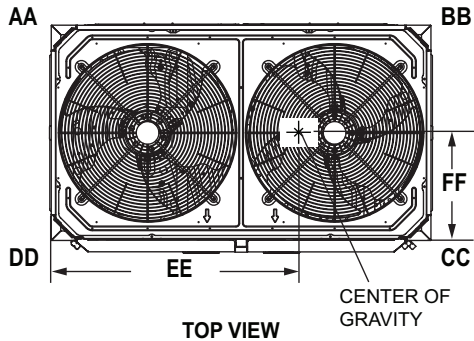
Balancing Pipework between Modules (in)

| | |
|----------------------------------|-------|
| L.P. Gas Balance Pipe Connection | 1-1/8 |
| H.P. Gas Balance Pipe Connection | 3/4 |
| Oil Balance Pipe Connection | 5/16 |
| Unit Net Weight (lb) | 800 |

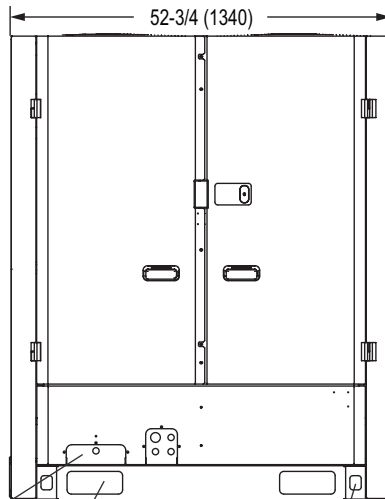


DIMENSIONAL DRAWINGS - INCHES (MM)

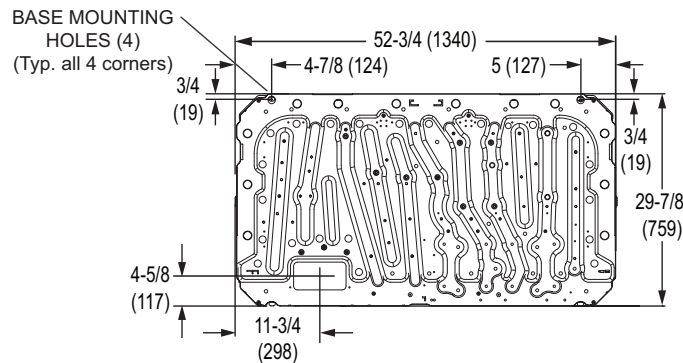
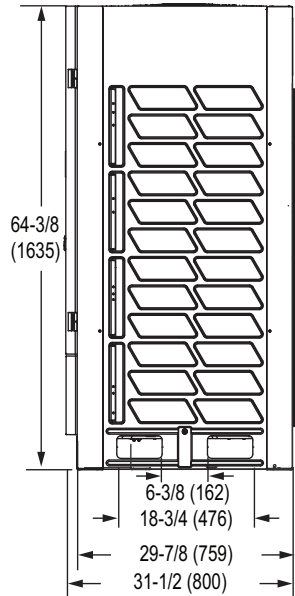
| CORNER WEIGHTS | | | | | | | | | CENTER OF GRAVITY | | | |
|----------------|------|----|------|----|------|----|------|-----|-------------------|-----|--------|-----|
| Model No. | AA | | BB | | CC | | DD | | EE | | FF | |
| | lbs. | kg | lbs. | kg | lbs. | kg | lbs. | kg | in. | mm | in. | mm |
| VPB072L4 | 124 | 57 | 207 | 95 | 215 | 99 | 256 | 118 | 27-3/4 | 705 | 12-1/4 | 311 |



LAG BOLT DESIGNATION (BOTH SIDES) (TO ACCESS LAG BOLT)



PARELLEL MODULE PIPING KNOCKOUT
 FORKLIFT SLOT (BOTH SIDES) (REFIRGERANT LINE PATH)
 LIFTING HOLES (BOTH SIDES) (FOR RIGGING)



NOTE - Due to Lennox' ongoing commitment to quality, Specifications, Ratings and Dimensions subject to change without notice and without incurring liability. Improper installation, adjustment, alteration, service or maintenance can cause property damage or personal injury. Installation and service must be performed by a qualified installer and servicing agency.