

Job: \_\_\_\_\_  
 Location: \_\_\_\_\_  
 Schedule No.: \_\_\_\_\_  
 System Designation: \_\_\_\_\_

Engineer: \_\_\_\_\_  
 Architect: \_\_\_\_\_  
 Location: \_\_\_\_\_  
 Date: \_\_\_\_\_

## Heat Pump Outdoor Unit

For:	Reference	Approval	Review	Construction
------	-----------	----------	--------	--------------

### FEATURES

- Split coil heat exchanger
- Dual hinged electrical boxes for ease of maintenance
- High-efficiency vapor injection inverter compressor
- Intelligent Duty Cycle operation
- Night Silent operation
- Hinged service doors
- Built-in service console
- Built-in base pan heater
- Heating Operation down to -22F
- Low Ambient Cooling down to -10F w/ kit

### WARRANTY

- Compressor - 10-year limited warranty
  - All other components - 10-year limited warranty
- \*See warranty for details

### SPECIFICATIONS

#### PERFORMANCE

Cooling Capacity <sup>1</sup> (Btu/h)	Nominal	312,000
	Rated <sup>2</sup>	298,000
EER	Ducted	10.6
	Non-Ducted	11.1
IEER	Ducted	20.7
	Non-Ducted	22.1
Heating Capacity <sup>1</sup> (Btu/h)	Nominal	351,000
	Rated <sup>2</sup>	334,000
COP47	Ducted	3.73
	Non-Ducted	3.55
COP17	Ducted	2.51
	Non-Ducted	2.31

#### ELECTRICAL DATA

Power Supply (Volts/Phase/Hertz)	208-230/3/60
Minimum Circuit Ampacity (A)	(2) 82.6+59.5
Maximum Overcurrent Protection (A)	(2) 90+70
Compressor RLA (A)	(2) 33+33+43.2
Number of Compressors	2+2+1
Outdoor Fan Power Input (W)	(2) 1200/1200+680/780
Outdoor Fan FLA (A)	(2) 4.0/4.3+2.6/2.9

#### GENERAL DATA

Connection Ratio	50% to 130%
Maximum Number of Indoor Units	57
Refrigerant Type	R-410A
Factory Refrigerant Charge (each unit)	23.8 lbs.

#### NOTES

1. Cooling and Heating capacity data is rated at the following conditions:  
 Cooling: 80°FDB / 67°FWB Indoor, 95°FDB Outdoor  
 Heating: 70°FDB Indoor, 47°FDB / 43°FWB Outdoor.
2. Complies with AHRI 1230-2014 testing standards
3. Operating Voltage Range 175V to 263V
4. To achieve cooling lower than 5°F a Low ambient hood must be installed. This is purchased as an accessory.
5. A local 115V power outlet is available as an accessory to provide local power for maintenance.



DIMENSIONS		VPB120	VPB120	VPB072
Unit	Height	72	72	64-3/8
Dimensions (in)	Width	68-1/2	68-1/2	52-3/4
	Depth	32-5/8	32-5/8	31-1/2

#### Main System Piping (in)

Liquid Pipe Connection	3/4	3/4	5/8
Gas Pipe Connection	1-1/4	1-1/4	1

#### Balancing PIPework between Modules (in)

L.P. Gas Balance Pipe Connection	1-1/4	1-1/4	1-1/8
H.P. Gas Balance Pipe Connection	3/4	3/4	3/4
Oil Balance Pipe Connection	5/16	5/16	5/16
Unit Net Weight (lb)	1093	1093	765

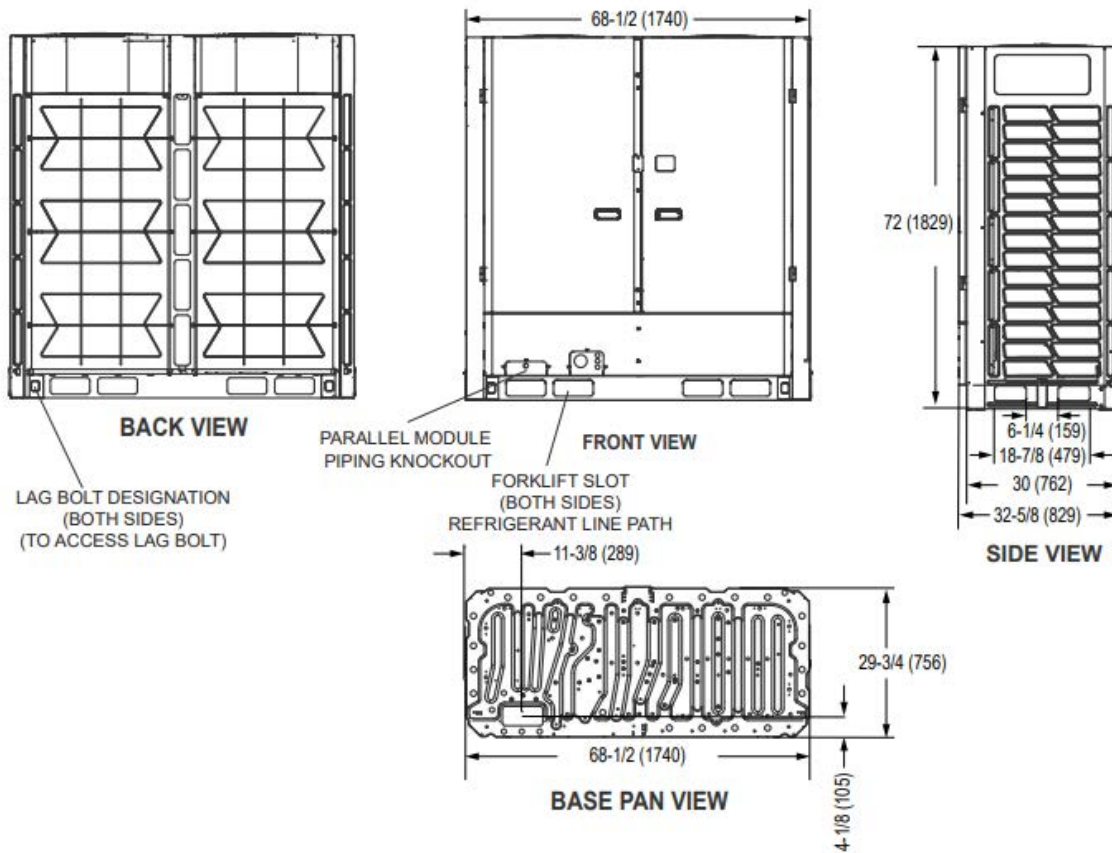
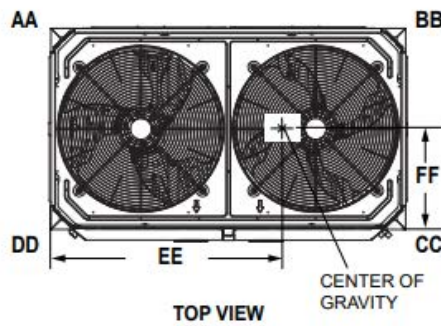


NOTE - Due to Lennox' ongoing commitment to quality, Specifications, Ratings and Dimensions subject to change without notice and without incurring liability. Improper installation, adjustment, alteration, service or maintenance can cause property damage or personal injury. Installation and service must be performed by a qualified installer and servicing agency.

**DIMENSIONAL DRAWINGS - INCHES (MM)**

VPB120

CORNER WEIGHTS								
Model No.	AA		BB		CC		DD	
	lbs.	kg	lbs.	kg	lbs.	kg	lbs.	kg
096, 120L4M-3Y	171	78	262	119	327	148	318	144
096, 120L4M-3G	173	78	266	121	332	151	323	147

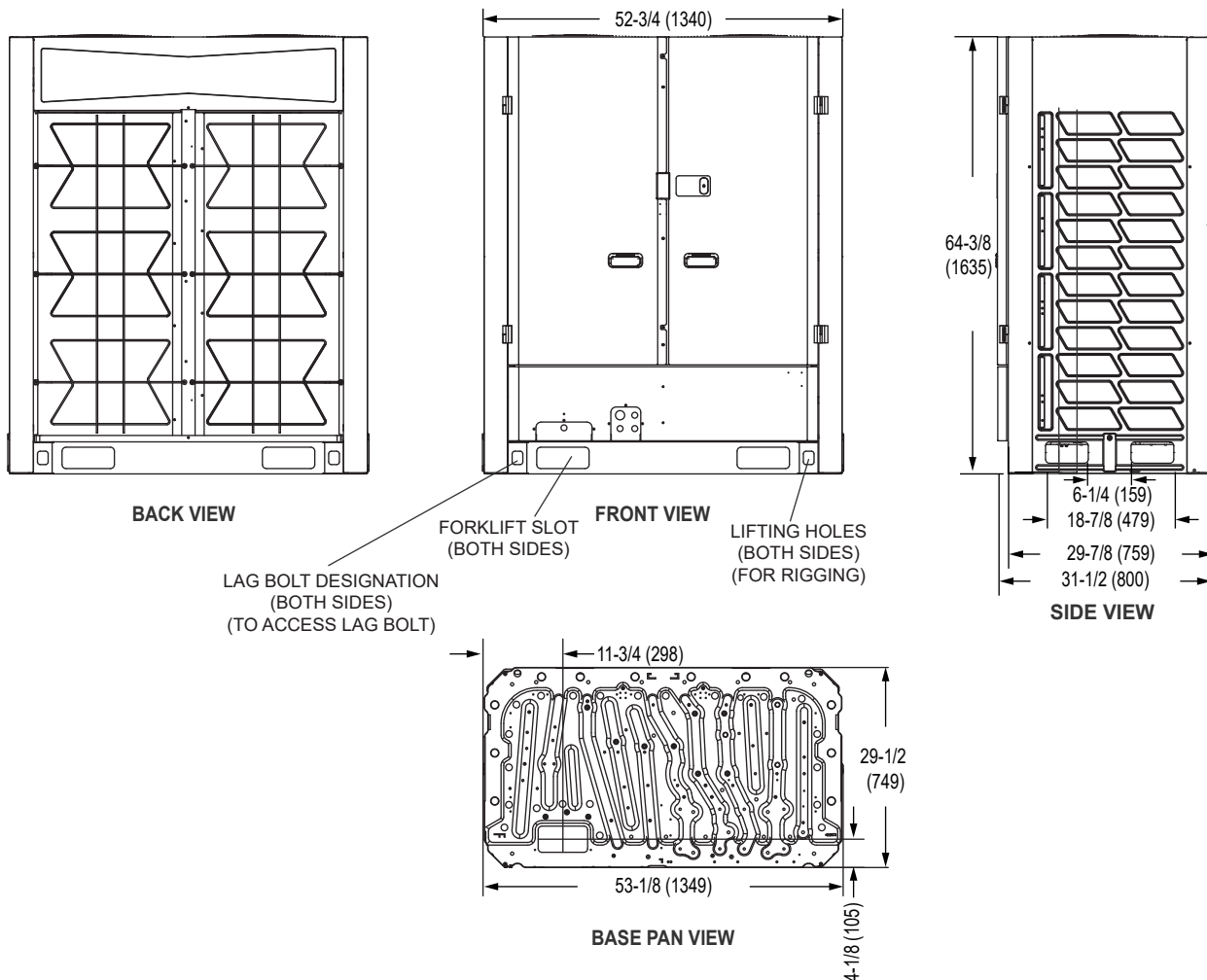
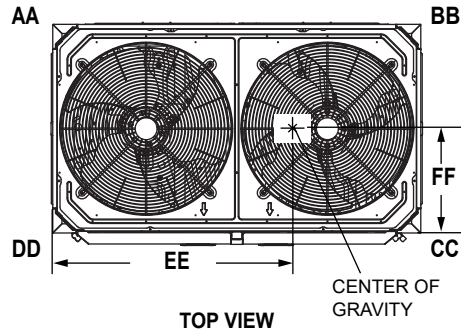


NOTE - Due to Lennox' ongoing commitment to quality, Specifications, Ratings and Dimensions subject to change without notice and without incurring liability. Improper installation, adjustment, alteration, service or maintenance can cause property damage or personal injury. Installation and service must be performed by a qualified installer and servicing agency.

**DIMENSIONAL DRAWINGS - INCHES (MM)**

VPB072

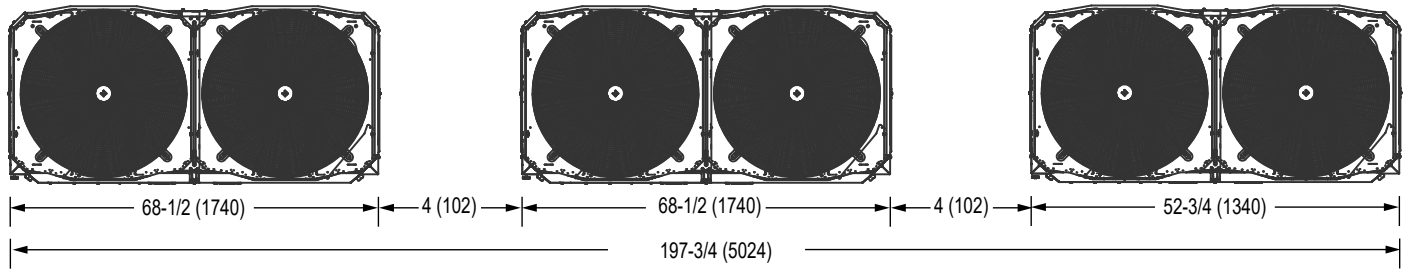
CORNER WEIGHTS								
Model No.	AA		BB		CC		DD	
	lbs.	kg	lbs.	kg	lbs.	kg	lbs.	kg
072L4M-3Y	118	54	198	90	206	93	245	111
072L4M-3G	124	56	207	94	215	98	256	116



NOTE - Due to Lennox' ongoing commitment to quality, Specifications, Ratings and Dimensions subject to change without notice and without incurring liability. Improper installation, adjustment, alteration, service or maintenance can cause property damage or personal injury. Installation and service must be performed by a qualified installer and servicing agency.

**MULTI-MODULE INFORMATION**

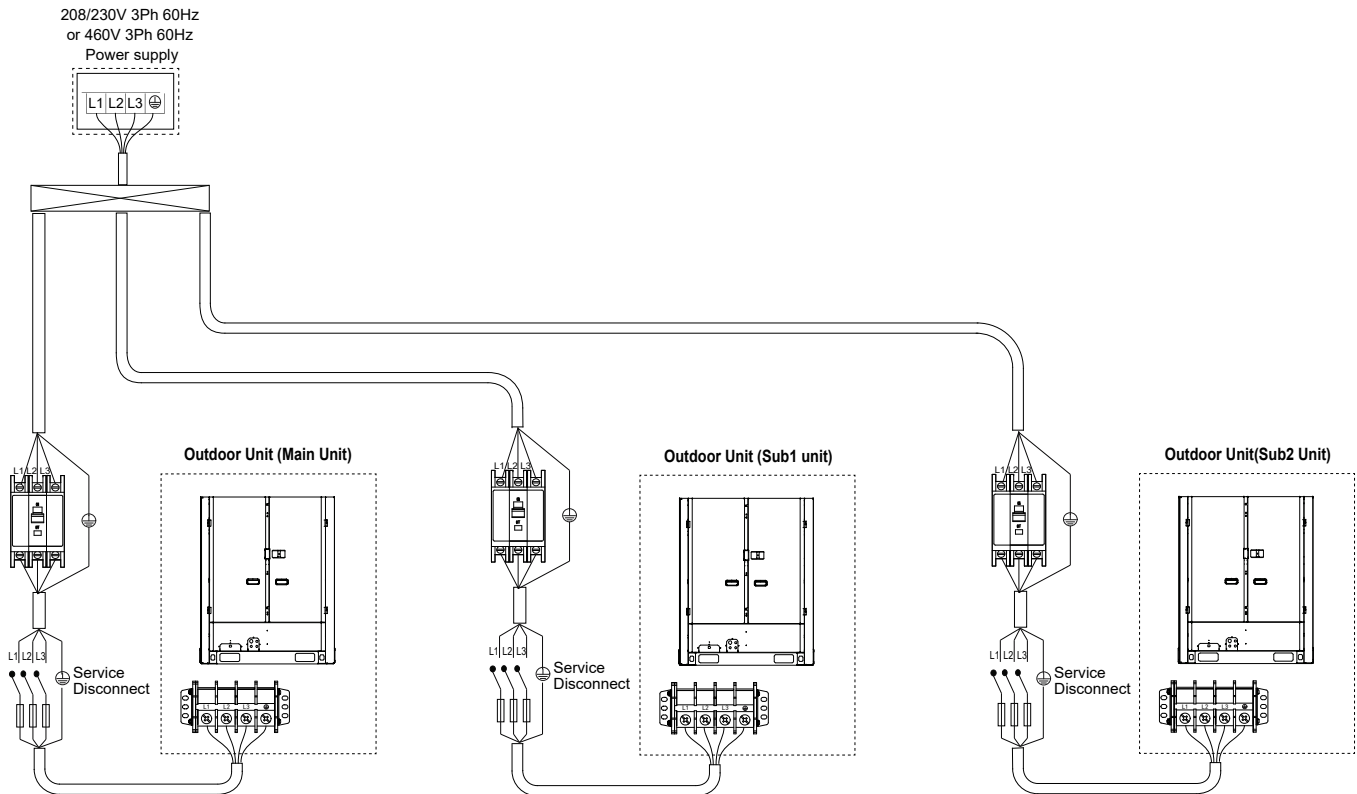
**Multi-Module Dimensions**



**NOTE - All the outdoor units manifolded together should be installed at the same elevation.**

**TOP VIEW**

**Multi-Module Power**



See page 1 for electrical data.  
 Total system MCA is calculated by adding the MCA value of each module together to get the total system MCA.  
 Total system MOP is calculated by adding the MOP value of each module together to get the total system MCA.