

# SUBMITTAL DATA - OUTDOOR UNIT

## VPB456H4M-3G

## VPB168H4M-3G + VPB144H4M-3G+ VPB144H4M-3G

### VRF Heat Pump

Job: \_\_\_\_\_  
 Location: \_\_\_\_\_  
 Schedule No.: \_\_\_\_\_  
 System Designation: \_\_\_\_\_

Engineer: \_\_\_\_\_  
 Architect: \_\_\_\_\_  
 Location: \_\_\_\_\_  
 Date: \_\_\_\_\_

## Heat Pump Outdoor Unit

For:      Reference      Approval      Review      Construction

### FEATURES

- Split coil heat exchanger
- Dual hinged electrical boxes for ease of maintenance
- High-efficiency vapor injection inverter compressors
- Intelligent Duty Cycle operation
- Night Silent operation
- Hinged service doors
- Built-in service console
- Built-in base pan heater
- Low Ambient Cooling

### WARRANTY

- Compressor - 10-year limited warranty
  - All other components - 10-year limited warranty
- \*See warranty for details

### SPECIFICATIONS

#### PERFORMANCE

|                                       |                    |         |
|---------------------------------------|--------------------|---------|
| Cooling Capacity <sup>1</sup> (Btu/h) | Nominal            | 456,000 |
|                                       | Rated <sup>2</sup> | 436000  |
| EER                                   | Ducted             | 9.5     |
|                                       | Non-Ducted         | 9.5     |
| IEER                                  | Ducted             | 17.4    |
|                                       | Non-Ducted         | 18.6    |
| Heating Capacity <sup>1</sup> (Btu/h) |                    | 490,000 |
|                                       |                    |         |
| COP47                                 | Ducted             | 3.23    |
|                                       | Non-Ducted         | 3.2     |
| COP17                                 | Ducted             | 2.3     |
|                                       | Non-Ducted         | 2.3     |

#### ELECTRICAL DATA

|                                    |                     |
|------------------------------------|---------------------|
| Power Supply (Volts/Phase/Hertz)   | 460/3/60            |
| Minimum Circuit Ampacity (A)       | 39 + (2) 37.4       |
| Maximum Overcurrent Protection (A) | (3) 40              |
| Compressor RLA (A)                 | 15.5/15 + (2) 15/14 |
| Number of Compressors              | (3) 2               |
| Outdoor Fan Power Input (W)        | (3) 1200/1200       |
| Outdoor Fan FLA (A)                | (3) 2.2/2.4         |

#### GENERAL DATA

|  |             |
|--|-------------|
| Connection Ratio                       | 50% to 130% |
| Maximum Number of Indoor Units         | 64          |
| Refrigerant Type                       | R-410A      |
| Factory Refrigerant Charge (each unit) | 23.8 lbs.   |

#### NOTES

- Cooling and Heating capacity data is rated at the following conditions:  
 Cooling: 80°FDB / 67°FWB Indoor, 95°FDB Outdoor  
 Heating: 70°FDB Indoor, 47°FDB / 43°FWB Outdoor.
- Complies with AHRI 1230-2014 testing standards
- Operating Voltage Range 410V to 525V
- To achieve cooling lower than 5°F a Low ambient hood must be installed. This is purchased as an accessory.
- A local 115V power outlet is available as an accessory to provide local power for maintenance.



| DIMENSIONS      |        | VPB168 | VPB144 | VPB144 |
|-----------------|--------|--------|--------|--------|
| Unit            | Height | 72     | 72     | 72     |
| Dimensions (in) | Width  | 68-1/2 | 68-1/2 | 68-1/2 |
|                 | Depth  | 32-5/8 | 32-5/8 | 32-5/8 |

| Main System Piping (in) |       |       |       |
|-------------------------|-------|-------|-------|
| Liquid Pipe Connection  | 3/4   | 3/4   | 3/4   |
| Gas Pipe Connection     | 1-3/8 | 1-3/8 | 1-3/8 |

| Balancing Pipework between Modules (in) |       |       |       |
|---|-------|-------|-------|
| L.P. Gas Balance Pipe Connection        | 1-3/8 | 1-3/8 | 1-3/8 |
| H.P. Gas Balance Pipe Connection        | 3/4   | 3/4   | 3/4   |
| Oil Balance Pipe Connection             | 1/4   | 1/4   | 1/4   |
| Unit Net Weight (lb)                    | 1118  | 1118  | 1118  |

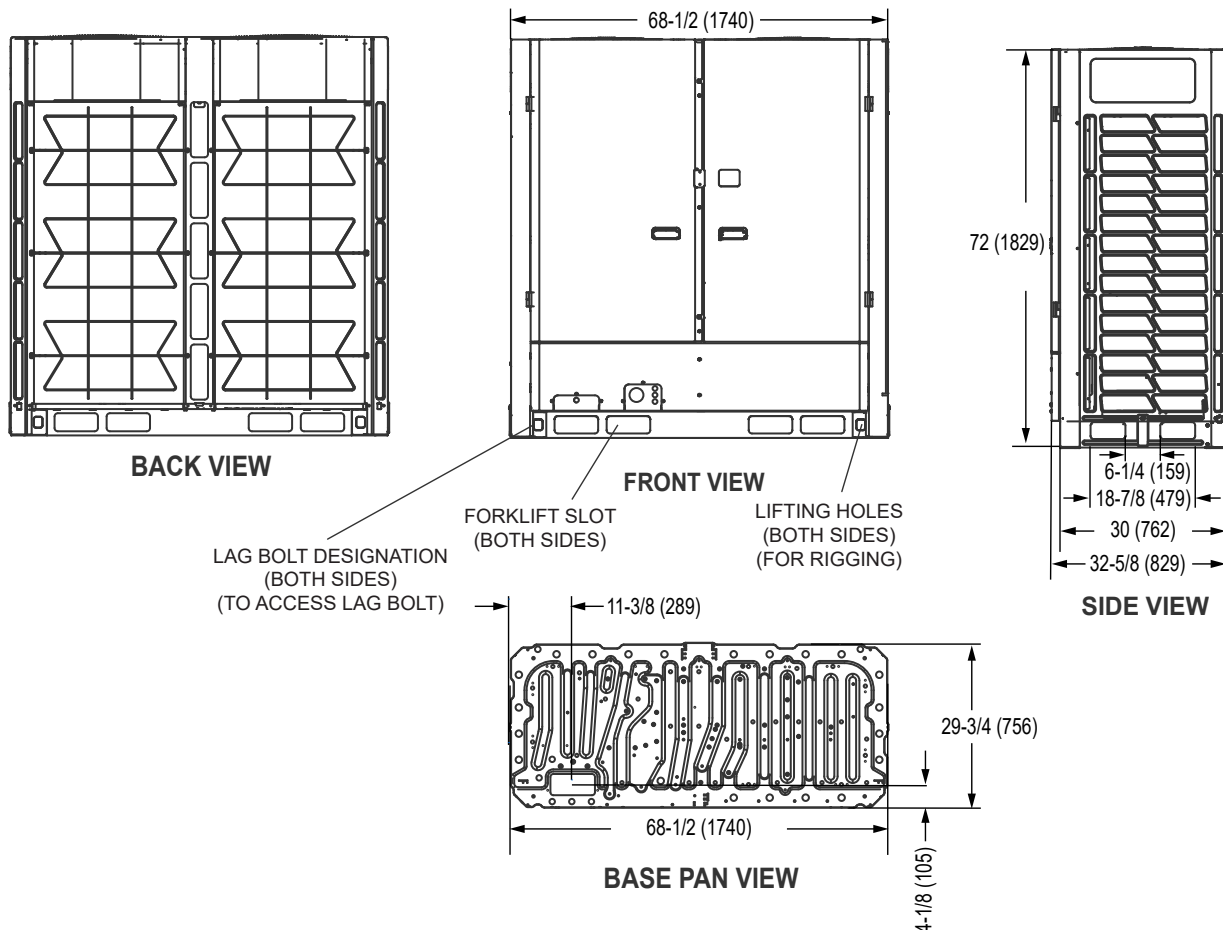
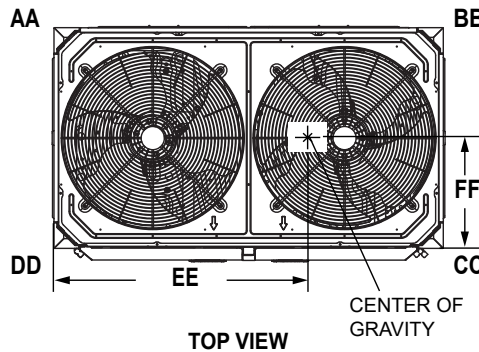


NOTE - Due to Lennox' ongoing commitment to quality, Specifications, Ratings and Dimensions subject to change without notice and without incurring liability. Improper installation, adjustment, alteration, service or maintenance can cause property damage or personal injury. Installation and service must be performed by a qualified installer and servicing agency.

**DIMENSIONAL DRAWINGS - INCHES (MM)**

Each Module

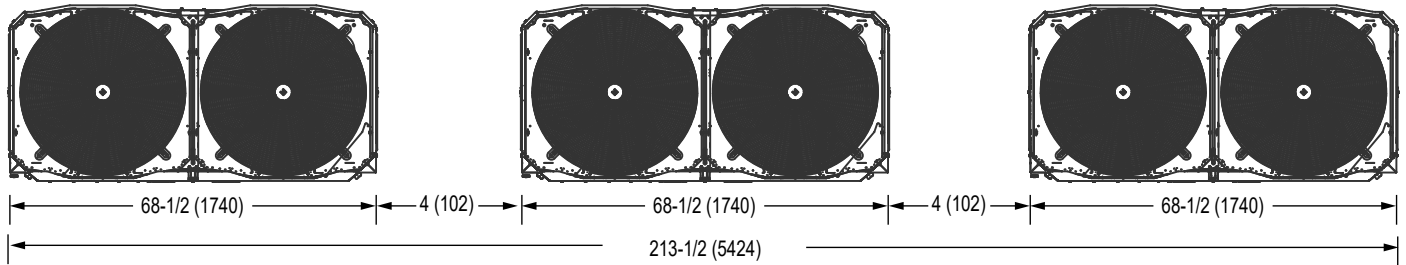
| CORNER WEIGHTS |    |      |     |      |     |      |     | CENTER OF GRAVITY |     |     |     |
|----------------|----|------|-----|------|-----|------|-----|-------------------|-----|-----|-----|
| AA             |    | BB   |     | CC   |     | DD   |     | EE                |     | FF  |     |
| lbs.           | kg | lbs. | kg  | lbs. | kg  | lbs. | kg  | in.               | mm  | in. | mm  |
| 172            | 78 | 264  | 120 | 330  | 150 | 321  | 146 | 37-3/4            | 953 | 12  | 305 |



NOTE - Due to Lennox' ongoing commitment to quality, Specifications, Ratings and Dimensions subject to change without notice and without incurring liability. Improper installation, adjustment, alteration, service or maintenance can cause property damage or personal injury. Installation and service must be performed by a qualified installer and servicing agency.

**MULTI-MODULE INFORMATION**

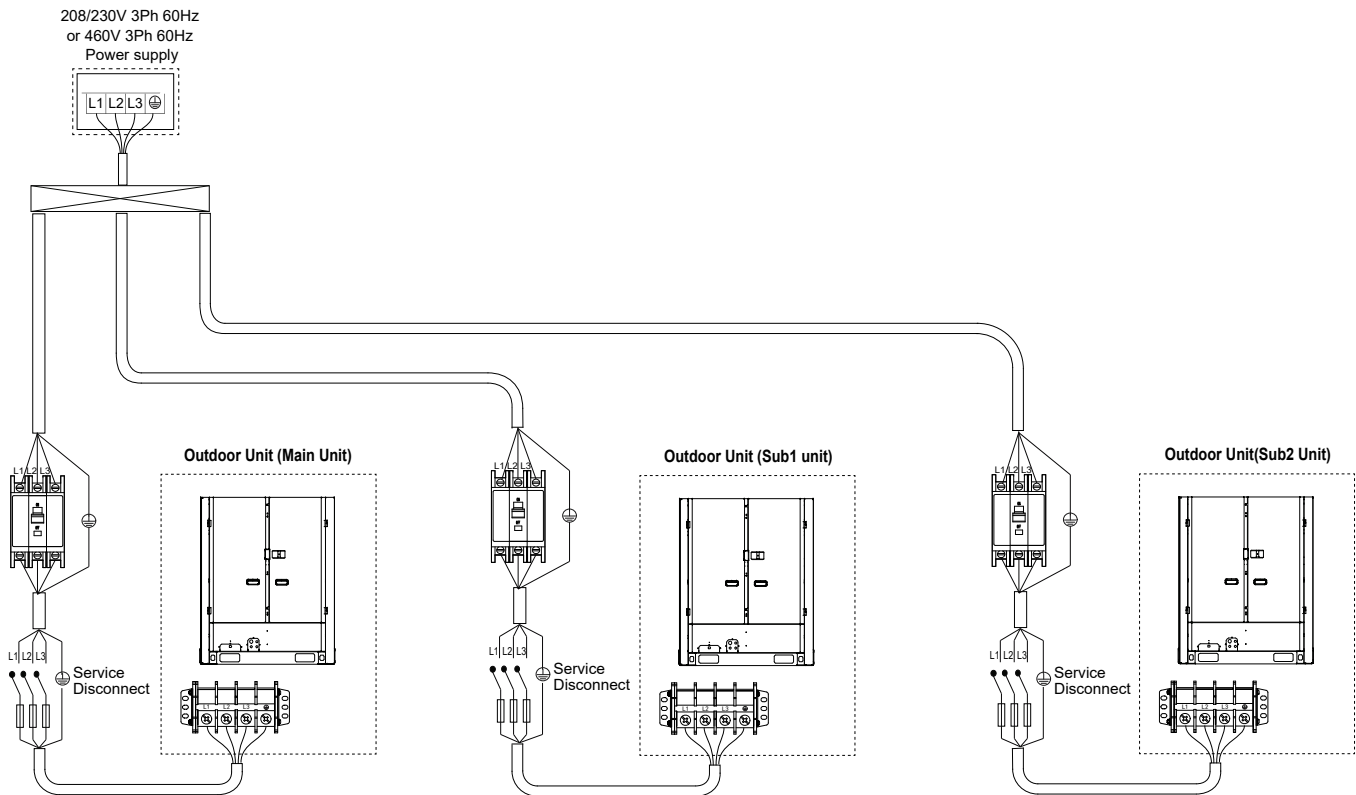
**Multi-Module Dimensions**



**NOTE** - All the outdoor units manifolded together should be installed at the same elevation.

**TOP VIEW**

**Multi-Module Power**



See page 1 for electrical data.

Total system MCA is calculated by adding the MCA value of each module together to get the total system MCA.

Total system MOP is calculated by adding the MOP value of each module together to get the total system MCA.