

# SUBMITTAL DATA - OUTDOOR UNIT

## VPB456H4M-3Y

## VPB168H4M-3Y + VPB144H4M-3Y+ VPB144H4M-3Y

### VRF Heat Pump

Job: \_\_\_\_\_  
 Location: \_\_\_\_\_  
 Schedule No.: \_\_\_\_\_  
 System Designation: \_\_\_\_\_

Engineer: \_\_\_\_\_  
 Architect: \_\_\_\_\_  
 Location: \_\_\_\_\_  
 Date: \_\_\_\_\_

## Heat Pump Outdoor Unit

For:      Reference      Approval      Review      Construction

### FEATURES

- Split coil heat exchanger
- Dual hinged electrical boxes for ease of maintenance
- High-efficiency vapor injection inverter compressors
- Intelligent Duty Cycle operation
- Night Silent operation
- Hinged service doors
- Built-in service console
- Built-in base pan heater
- Low Ambient Cooling

### WARRANTY

- Compressor - 10-year limited warranty
  - All other components - 10-year limited warranty
- \*See warranty for details

### SPECIFICATIONS

#### PERFORMANCE

Cooling Capacity <sup>1</sup> (Btu/h)	Nominal	456,000
	Rated <sup>2</sup>	436,000
EER	Ducted	9.5
	Non-Ducted	9.5
IEER	Ducted	17.4
	Non-Ducted	18.6
Heating Capacity <sup>1</sup> (Btu/h)		490,000
COP47	Ducted	3.23
	Non-Ducted	3.2
COP17	Ducted	2.3
	Non-Ducted	2.3

#### ELECTRICAL DATA

Power Supply (Volts/Phase/Hertz)	208-230/3/60
Minimum Circuit Ampacity (A)	84.8 + (2) 77.1
Maximum Overcurrent Protection (A)	90 + (2) 80
Compressor RLA (A)	34/34 + (2) 31/30
Number of Compressors	(3) 2
Outdoor Fan Power Input (W)	(3) 1200/1200
Outdoor Fan FLA (A)	(3) 4.0/4.3

#### GENERAL DATA

Connection Ratio	50% to 130%
Maximum Number of Indoor Units	64
Refrigerant Type	R-410A
Factory Refrigerant Charge (each unit)	23.8 lbs.

#### NOTES

1. Cooling and Heating capacity data is rated at the following conditions:  
 Cooling: 80°FDB / 67°FWB Indoor, 95°FDB Outdoor  
 Heating: 70°FDB Indoor, 47°FDB / 43°FWB Outdoor
2. Complies with AHRI 1230-2014 testing standards
3. Operating Voltage Range 175V to 263V
4. To achieve cooling lower than 5°F a Low ambient hood must be installed. This is purchased as an accessory.
5. A local 115V power outlet is available as an accessory to provide local power for maintenance.



DIMENSIONS		VPB168	VPB144	VPB144
Unit	Height	72	72	72
Dimensions (in)	Width	68-1/2	68-1/2	68-1/2
	Depth	32-5/8	32-5/8	32-5/8

Main System Piping (in)			
Liquid Pipe Connection	3/4	3/4	3/4
Gas Pipe Connection	1-3/8	1-3/8	1-3/8

Balancing Pipework between Modules (in)			
L.P. Gas Balance Pipe Connection	1-3/8	1-3/8	1-3/8
H.P. Gas Balance Pipe Connection	3/4	3/4	3/4
Oil Balance Pipe Connection	1/4	1/4	1/4
Unit Net Weight (lb)	1118	1118	1118

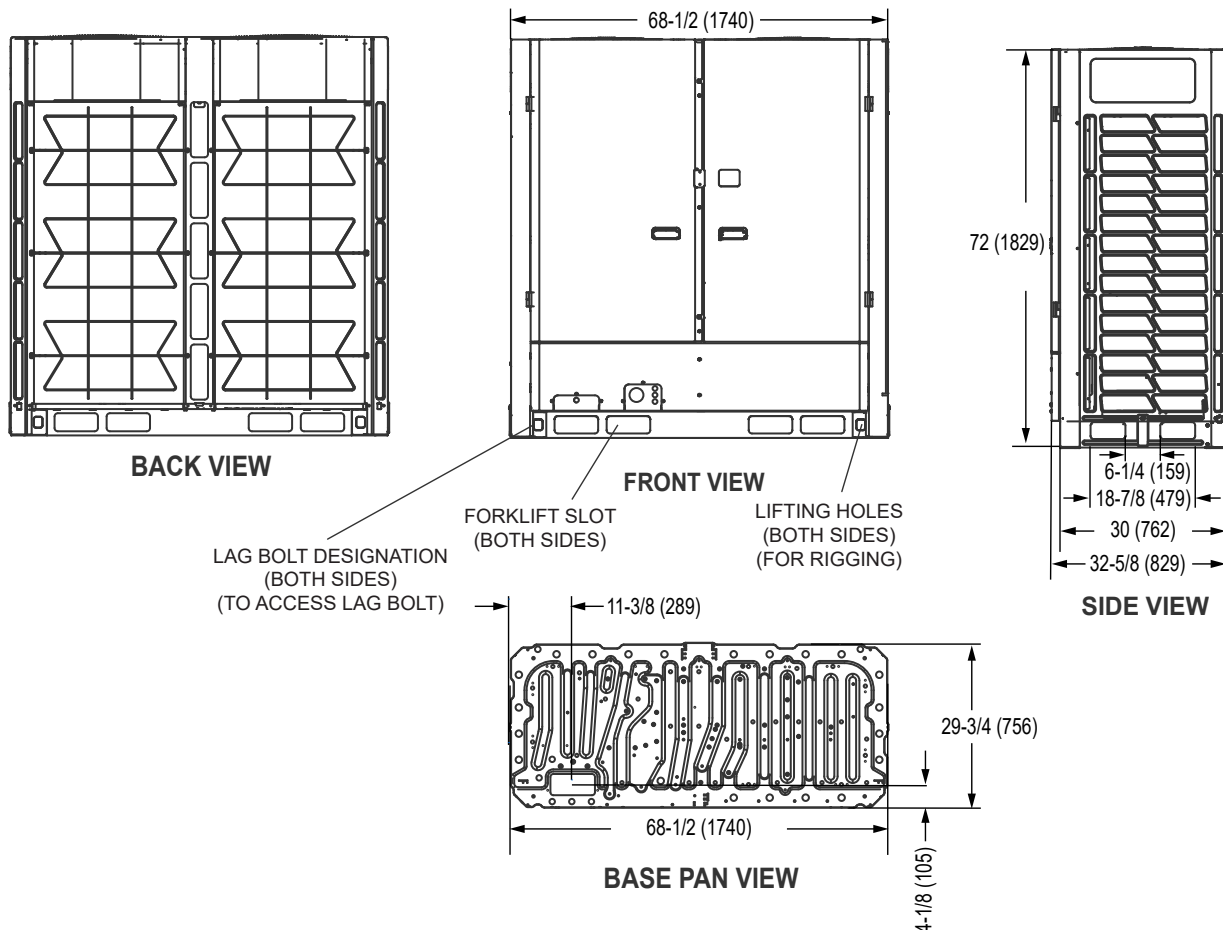
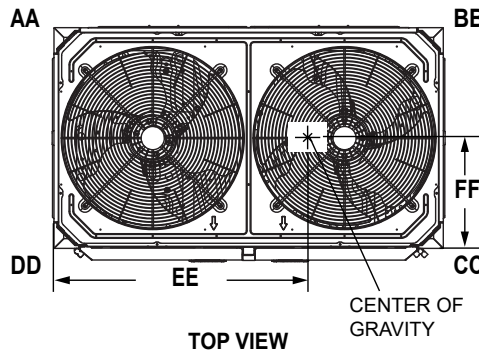


NOTE - Due to Lennox' ongoing commitment to quality, Specifications, Ratings and Dimensions subject to change without notice and without incurring liability. Improper installation, adjustment, alteration, service or maintenance can cause property damage or personal injury. Installation and service must be performed by a qualified installer and servicing agency.

**DIMENSIONAL DRAWINGS - INCHES (MM)**

Each Module

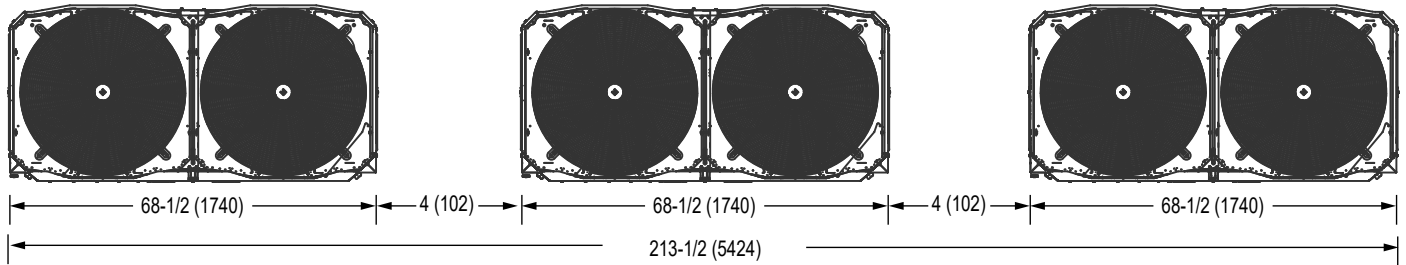
CORNER WEIGHTS								CENTER OF GRAVITY			
AA		BB		CC		DD		EE		FF	
lbs.	kg	lbs.	kg	lbs.	kg	lbs.	kg	in.	mm	in.	mm
172	78	264	120	330	150	321	146	37-3/4	953	12	305



NOTE - Due to Lennox' ongoing commitment to quality, Specifications, Ratings and Dimensions subject to change without notice and without incurring liability. Improper installation, adjustment, alteration, service or maintenance can cause property damage or personal injury. Installation and service must be performed by a qualified installer and servicing agency.

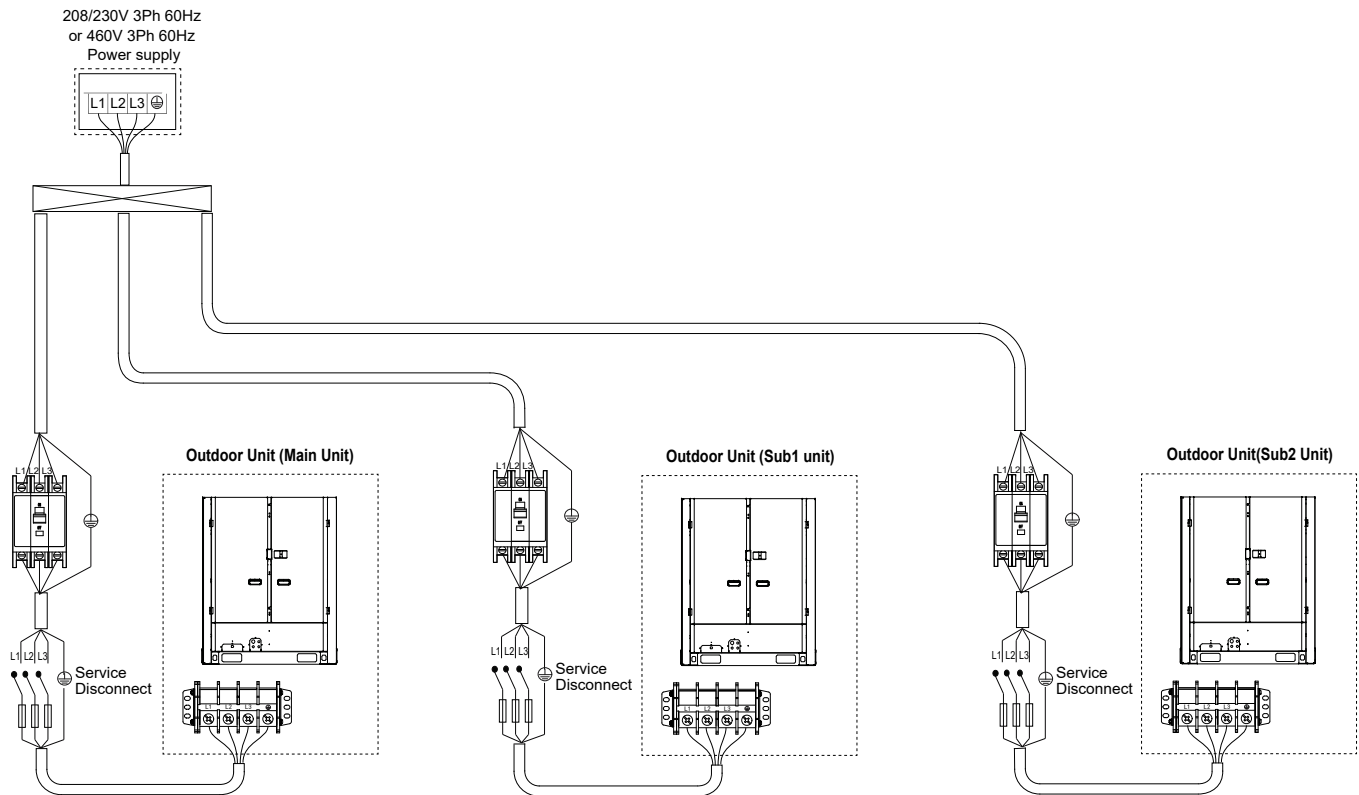
**MULTI-MODULE INFORMATION**

**Multi-Module Dimensions**



**NOTE** - All the outdoor units manifolded together should be installed at the same elevation.

**Multi-Module Power**



See page 1 for electrical data.  
 Total system MCA is calculated by adding the MCA value of each module together to get the total system MCA.  
 Total system MOP is calculated by adding the MOP value of each module together to get the total system MCA.