

Job: _____
 Location: _____
 Schedule No.: _____
 System Designation: _____

Engineer: _____
 Architect: _____
 Location: _____
 Date: _____

For: Reference Approval Review Construction

Heat Recovery Outdoor Unit

FEATURES

- Split coil heat exchanger
- Intelligent Duty Cycle operation
- Built-in base pan heater
- Dual hinged electrical boxes for ease of maintenance
- Night Silent operation
- Heating Operation down to -22F
- High-efficiency vapor injection inverter compressor
- Hinged service doors
- Low Ambient Cooling down to -10F w/ kit
- Built-in service console

WARRANTY

- Compressor - 10-year limited warranty
 - All other components - 10-year limited warranty
- *See warranty for details

SPECIFICATIONS

PERFORMANCE

Cooling Capacity ¹ (Btu/h)	Nominal	264,000
	Rated ²	252,000
EER	Ducted	11.3
	Non-Ducted	11.7
IEER	Ducted	20.8
	Non-Ducted	22.9
SCHE	Ducted	28.2
	Non-Ducted	31.6
Heating Capacity ¹ (Btu/h)	Nominal	297,000
	Rated ²	282,000
COP47	Ducted	3.77
	Non-Ducted	3.81
COP17	Ducted	2.52
	Non-Ducted	2.48

ELECTRICAL DATA

Power Supply (Volts/Phase/Hertz)	208-230/3/60
Minimum Circuit Ampacity (A)	82.6+59.5+59.5
Maximum Overcurrent Protection (A)	90+70+70
Compressor RLA (A)	33+33+43.2+43.2
Number of Compressors	2+1+1
Outdoor Fan Power Input (W)	1200/1200+(2) 69-/780
Outdoor Fan FLA (A)	4.0/4.3+(2) 2.6/2.9

GENERAL DATA

Connection Ratio	50% to 130%
Maximum Number of Indoor Units	49
Refrigerant Type	R-410A
Factory Refrigerant Charge (each unit)	23.8 lbs.

NOTES

- Cooling and Heating capacity data is rated at the following conditions:
 Cooling: 80°FDB / 67°FWB Indoor, 95°FDB Outdoor
 Heating: 70°FDB Indoor, 47°FDB / 43°FWB Outdoor.
- Complies with AHRI 1230-2014 testing standards
- Operating Voltage Range 175V to 263V
- To achieve cooling lower than 5°F a Low ambient hood must be installed. This is purchased as an accessory.
- A local 115V power outlet is available as an accessory to provide local power for maintenance.



DIMENSIONS		VRB120	VRB072	VRB072
Unit	Height	72	64-3/8	64-3/8
Dimensions (in)	Width	68-1/2	52-3/4	52-3/4
	Depth	32-5/8	31-1/2	31-1/2

Main System Piping (in)

Liquid Pipe Connection	3/4	5/8	5/8
Gas Pipe Connection	1-1/4	1	1

Balancing Pipework between Modules (in)

L.P. Gas Balance Pipe Connection	1-1/4	1-1/8	1-1/8
H.P. Gas Balance Pipe Connection	3/4	3/4	3/4
Oil Balance Pipe Connection	5/16	5/16	5/16
Unit Net Weight (lb)	1093	765	765



NOTE - Due to Lennox' ongoing commitment to quality, Specifications, Ratings and Dimensions subject to change without notice and without incurring liability.

Improper installation, adjustment, alteration, service or maintenance can cause property damage or personal injury.

Installation and service must be performed by a qualified installer and servicing agency.

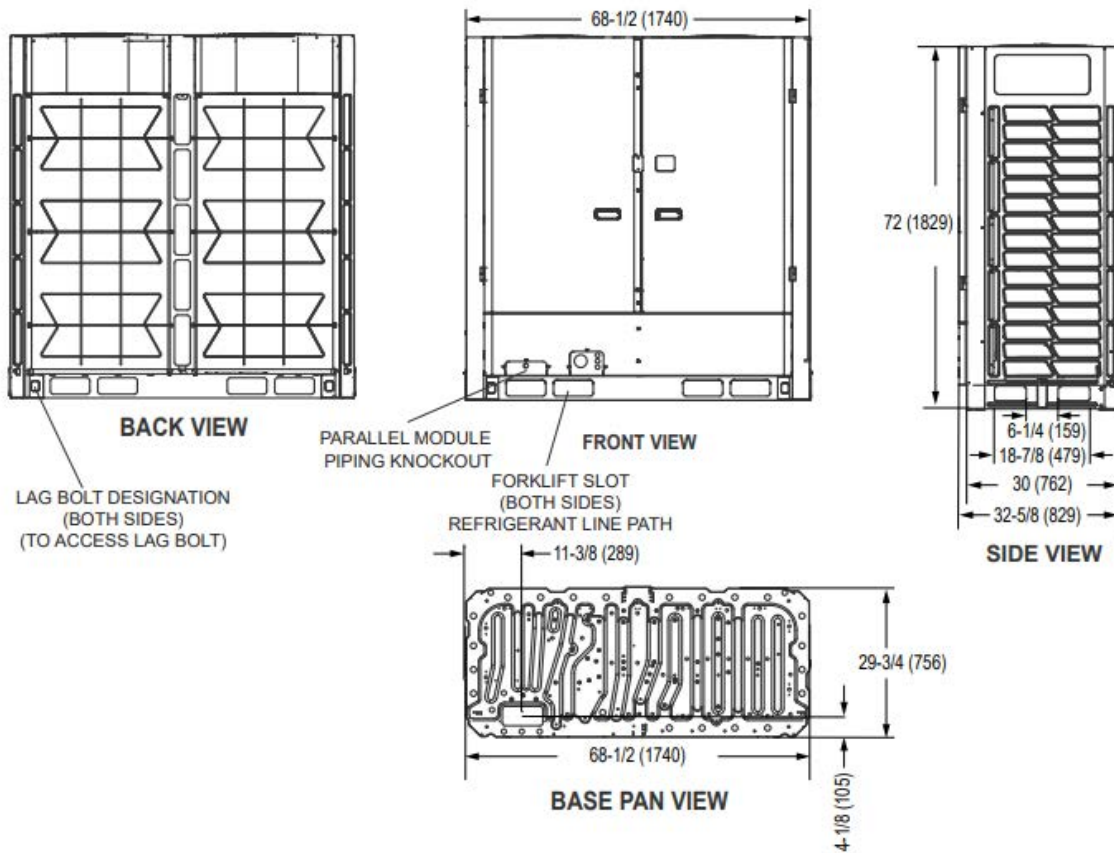
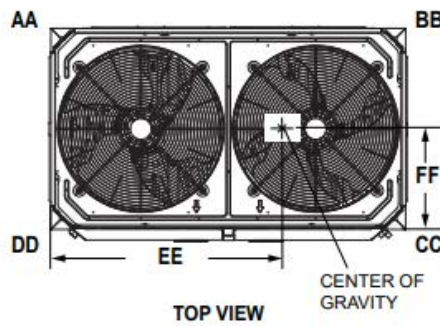
495886 (202006)

©2020 Lennox Industries Inc.

DIMENSIONAL DRAWINGS - INCHES (MM)

VRB120, VRB096

CORNER WEIGHTS								
Model No.	AA		BB		CC		DD	
	lbs.	kg	lbs.	kg	lbs.	kg	lbs.	kg
096, 120L4M-3Y	171	78	262	119	327	148	318	144
096, 120L4M-3G	173	78	266	121	332	151	323	147



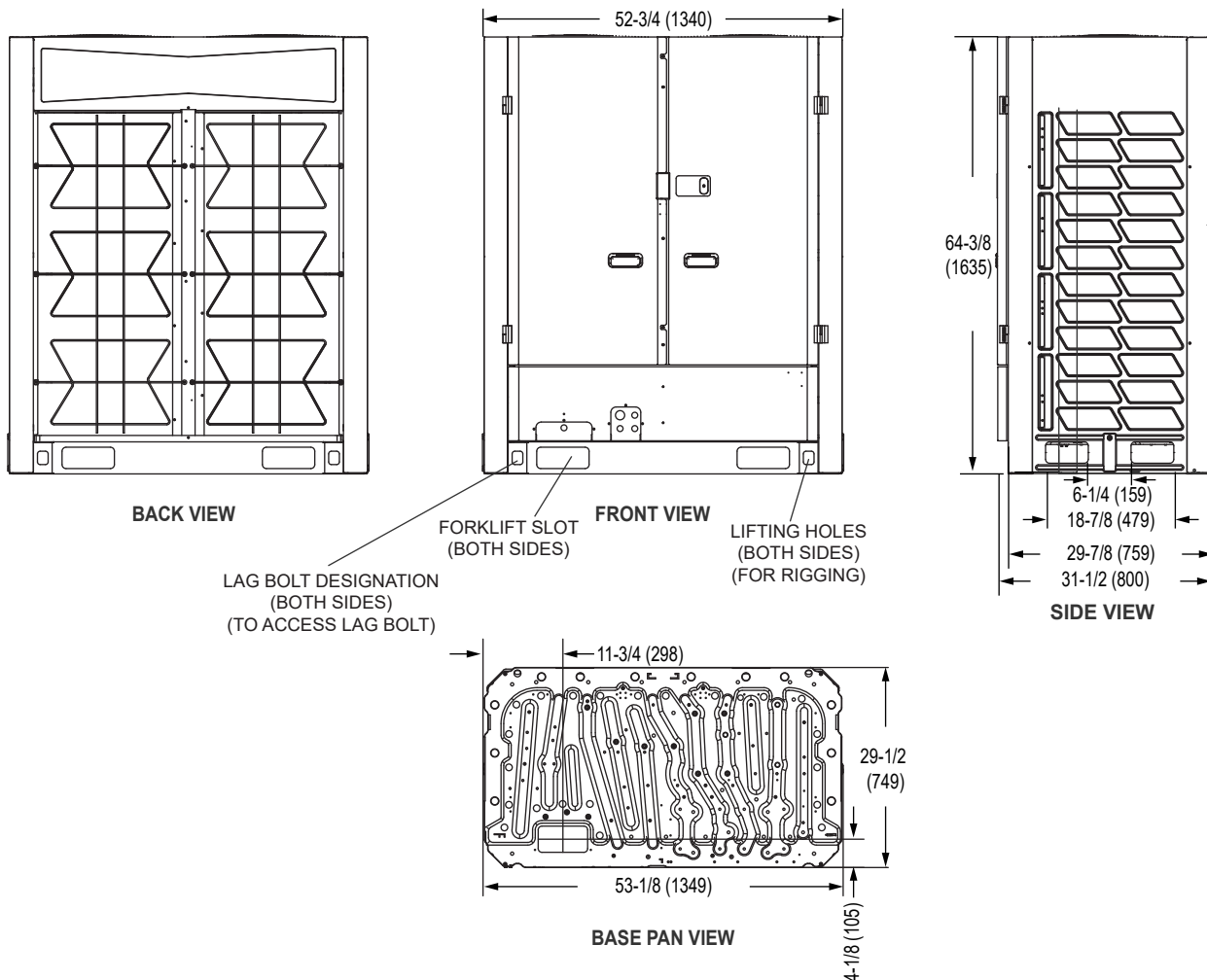
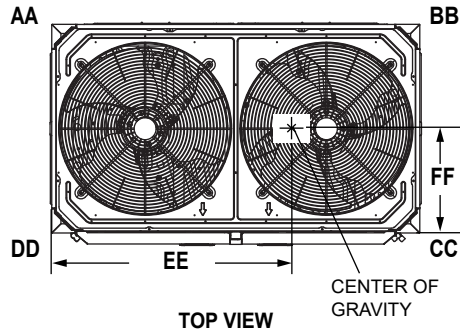
NOTE - Due to Lennox' ongoing commitment to quality, Specifications, Ratings and Dimensions subject to change without notice and without incurring liability. Improper installation, adjustment, alteration, service or maintenance can cause property damage or personal injury. Installation and service must be performed by a qualified installer and servicing agency.

SUBMITTAL DATA - OUTDOOR UNIT
VRB264L4M-3Y
VRB120L4M-3Y + VRB072L4M-3Y + VRB072L4M-3Y
VRF Heat Recovery

DIMENSIONAL DRAWINGS - INCHES (MM)

VRB072

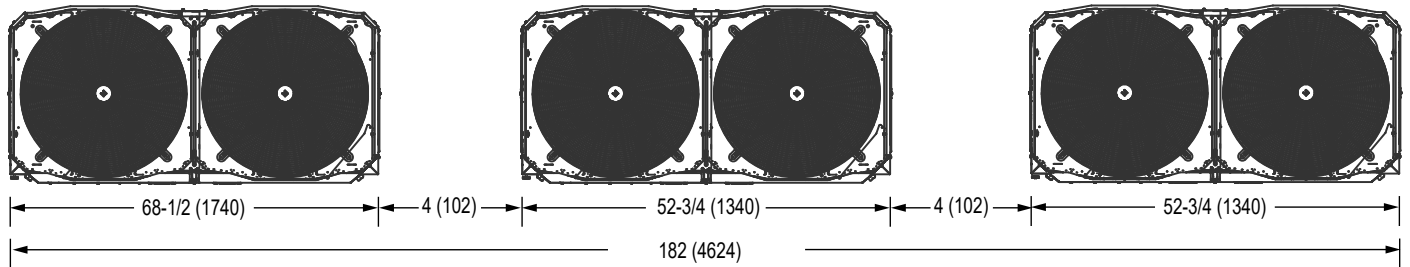
CORNER WEIGHTS								
Model No.	AA		BB		CC		DD	
	lbs.	kg	lbs.	kg	lbs.	kg	lbs.	kg
072L4M-3Y	118	54	198	90	206	93	245	111
072L4M-3G	124	56	207	94	215	98	256	116



NOTE - Due to Lennox' ongoing commitment to quality, Specifications, Ratings and Dimensions subject to change without notice and without incurring liability. Improper installation, adjustment, alteration, service or maintenance can cause property damage or personal injury. Installation and service must be performed by a qualified installer and servicing agency.

MULTI-MODULE INFORMATION

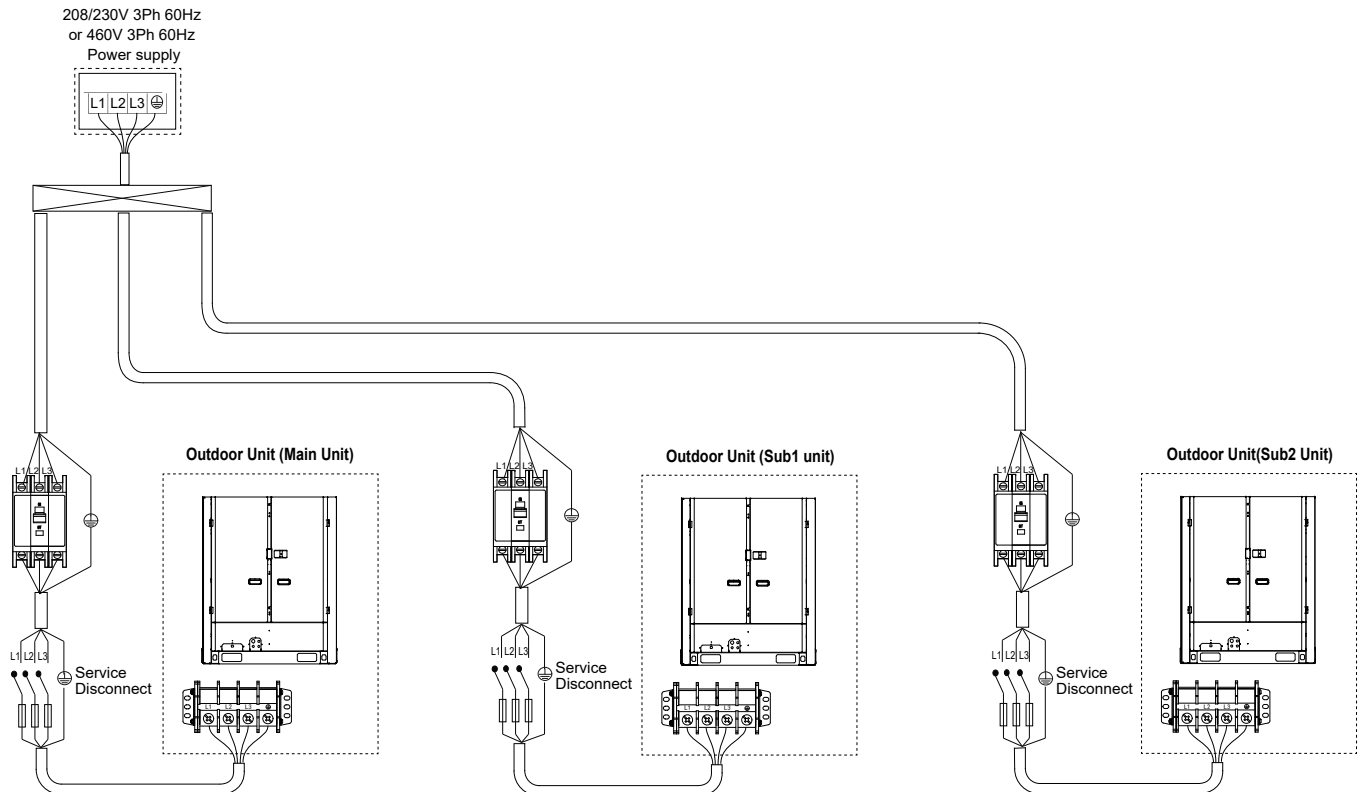
Multi-Module Dimensions



NOTE - All the outdoor units manifolded together should be installed at the same elevation.

TOP VIEW

Multi-Module Power



See page 1 for electrical data.
 Total system MCA is calculated by adding the MCA value of each module together to get the total system MCA.
 Total system MOP is calculated by adding the MOP value of each module together to get the total system MCA.