

Job: _____
 Location: _____
 Schedule No.: _____
 System Designation: _____

Engineer: _____
 Architect: _____
 Location: _____
 Date: _____
 For: Reference Approval Review Construction

Floor Standing Indoor Unit (Exposed)

FEATURES

- Pre Heat Function
- Auto Addressing
- Auto Restart
- Electronic Expansion Valve
- High-Efficiency DC Motor
- Receiver/Display Panel
- Air Filter
- Flare Connections
- Refrigerant R-410A
- Six Capacity Sizes from 7,500 to 24,000 Btu/h

WARRANTY

- 10-year limited warranty.*See warranty for details.

SPECIFICATIONS

PERFORMANCE

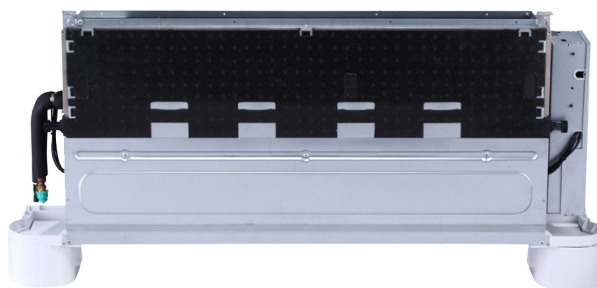
Cooling Capacity ¹ (Btu/h)	24,000
Heating Capacity ¹ (Btu/h)	27,000
Airflow (CFM)	Low/Medium/High 429/492/552
External Static Pressure (in. w.g.)	0-0.4
Sound (dBA)	Low/Medium/High 38.5/41.1/43.5

ELECTRICAL DATA

Power Supply (Volts/Hertz/Phase)	208-230/60/1
Minimum Circuit Ampacity (MCA) (A)	0.64
Maximum Overcurrent Protection (MOP) (A)	15
Cooling Power Input (W)	53
Cooling Rated Current (A)	0.4
Heating Power Input (W)	57
Heating Rated Current (A)	0.4
Indoor Fan Motor Input (W)	60

DIMENSIONS

Unit Dimensions (in)	Width	49-3/8
	Height	15-3/8
	Depth	7-7/8
Liquid Pipe Connection (in) (I.D.)		3/8
Gas Pipe Connection (in) (I.D.)		5/8
Drain Connection (in) (O.D.)		3/4
Net Weight (lb)		59
Shipping Weight (lb)		71



OPTIONAL ACCESSORIES

<input type="checkbox"/> Support Feet	V8VSA001-3P
<input type="checkbox"/> Hotel Keycard Interface	VOCTRL88P-1

NOTES

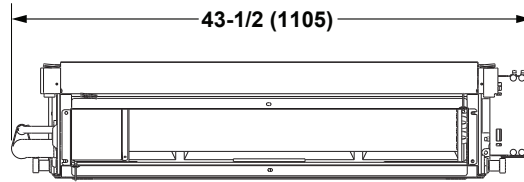
1. Cooling and Heating capacity data is rated at the following conditions:
 Cooling: 80°FDB / 67°FWB Indoor, 95°FDB
 Outdoor Heating: 70°FDB Indoor, 47°FDB / 43°FWB
 Outdoor.



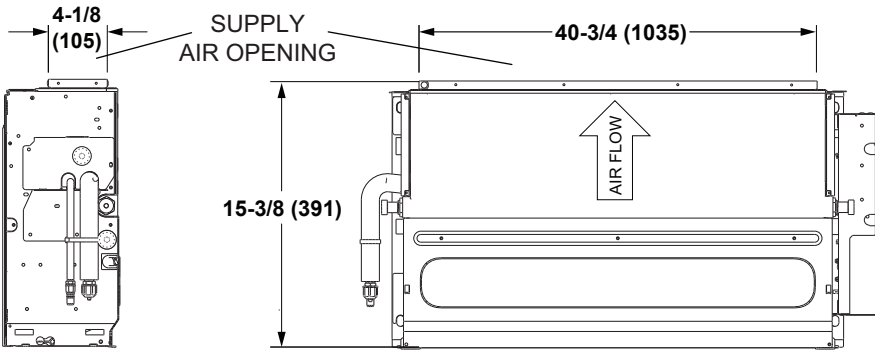
NOTE – Due to Lennox' ongoing commitment to quality, Specifications, Ratings and Dimensions subject to change without notice and without incurring liability. Improper installation, adjustment, alteration, service or maintenance can cause property damage or personal injury. Installation and service must be performed by a qualified installer and servicing agency.

DIMENSIONAL DRAWINGS - INCHES (MM)

VSEA024H4

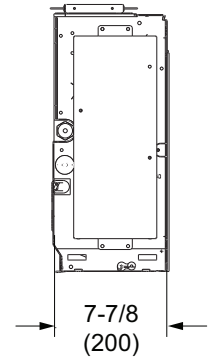


TOP VIEW



FRONT VIEW

LEFT SIDE VIEW



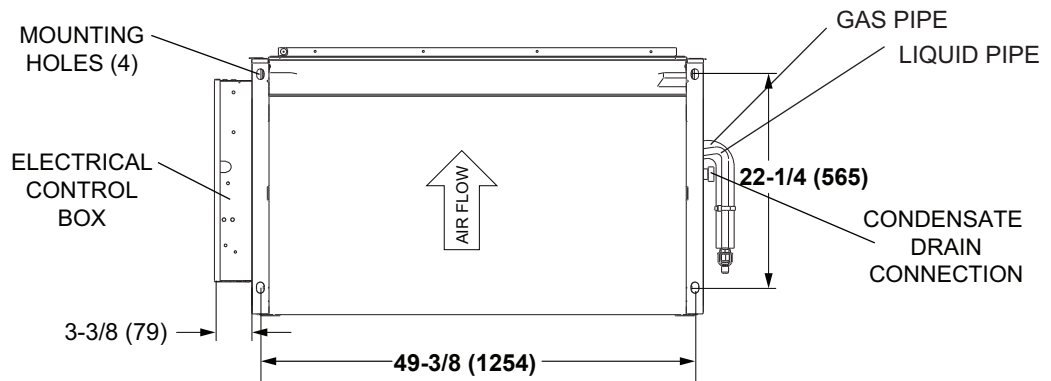
RIGHT SIDE VIEW

RETURN AIR OPENING (Bottom)

NOTE - Optional Feet (not shown) add 3-1/2 in. (89 mm) to the overall height



BOTTOM VIEW



BACK VIEW