



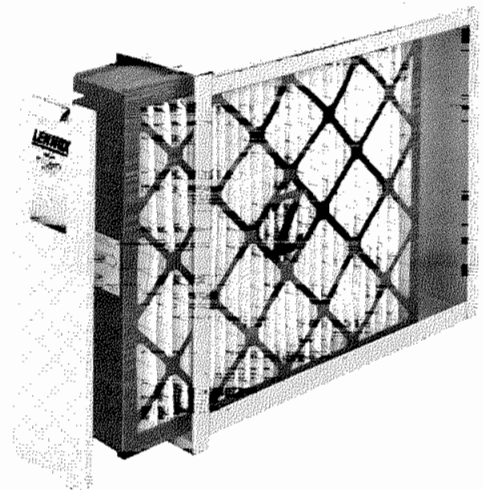
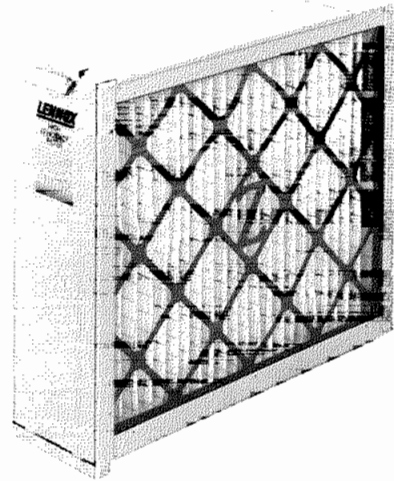
# MF1-20 HIGH EFFICIENCY AIR CLEANER

The MF1-20 multi-position air cleaner is available for installation in the return air side of all types of central units and easily adapts to up-flo, lo-boy, down-flo or horizontal unit applications. Compact air cleaner can be installed in the vertical or horizontal position and is strong enough to support the weight of most up-flo furnaces. Air flow direction thru the cleaner can be changed by relocating the filter. Cabinet is designed to accept EAC11 electronic air cleaner components and can be easily converted at any future time.

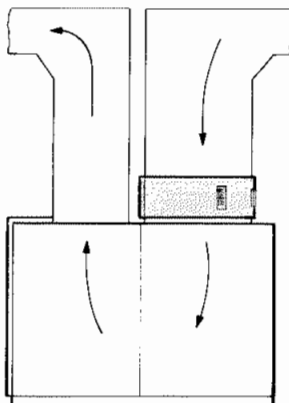
High efficiency air cleaner effectively removes up to 5 times more dirt and contaminants than conventional furnace filters. Because of its radial pleating and omni-directional fiber design, it will outlast and outperform standard filters by trapping a wide range of particles that ordinary filters cannot retain. The air cleaner removes airborne particles as small as 1 micron (1/25,000th of an inch) in diameter. Constant blower operation will achieve the best air cleaning results. This will cause temperatures to remain balanced throughout the conditioned area, and a continual flow of dirt laden air to be cleaned by the air cleaner.

Thin profile, one piece cabinet is constructed of heavy gauge steel with a durable baked epoxy powder coating paint finish. Predrilled mounting holes on each side of cabinet simplifies flush mounting to unit or connection to duct work. Access door allows quick and easy replacement of filter. Disposable filter with specially pleated 100% synthetic media provides a large surface area allowing maximum dirt holding capacities with minimum air resistance. Arrows on filter indicate air flow direction.

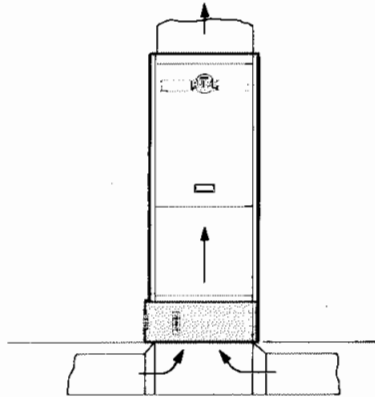
Air cleaner is tested according to ASHRAE Standard test procedures #52-76 and filter media is U.L. listed. Air cleaner is shipped completely factory assembled and ready for easy installation.



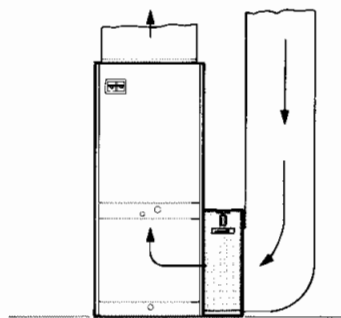
### Typical Applications



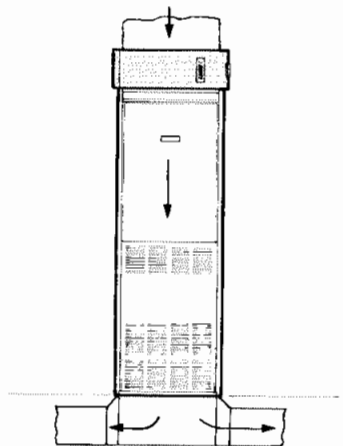
Lo-Boy



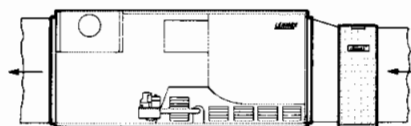
Up-Flo



Up-Flo  
(Side Installation)



Down-flo



Horizontal

NOTE — Due to flue location on down-flo furnaces front of air cleaner (with access panel) must be installed to side or rear of furnace cabinet. If installed in a confined space, service clearance may be restricted.

## SPECIFICATIONS

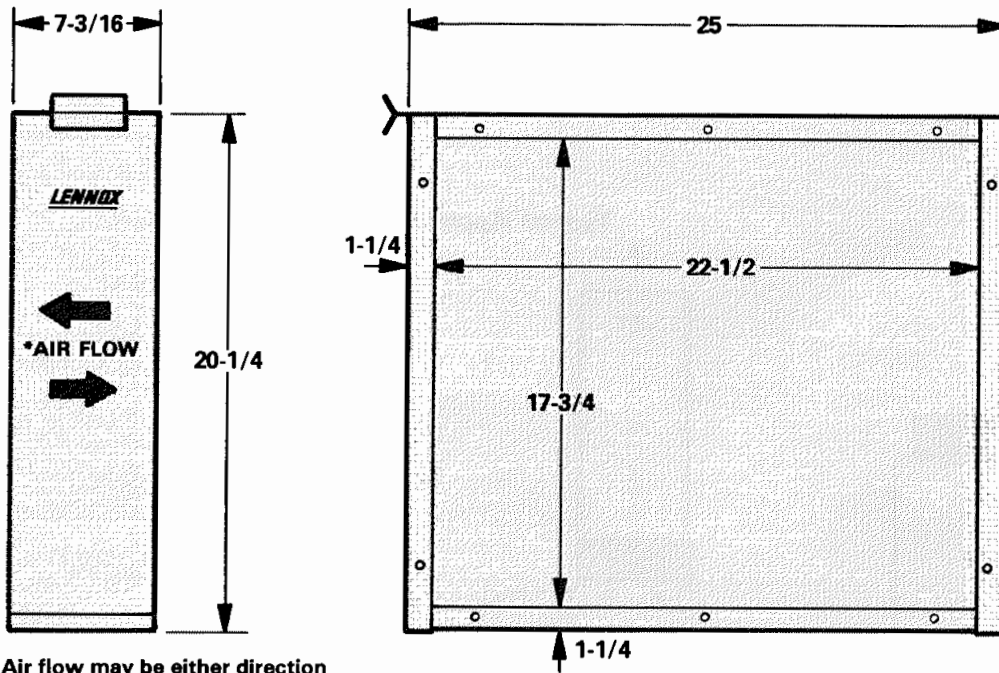
Model No.	MF1-20
Air volume range (cfm)	600 – 2000
Filter size (in.) H x W x D	20 x 24-1/4 x 5
Shipping weight (lbs.)	16
No. of packages in shipment	1

## AIR RESISTANCE

Air Volume (cfm)	Total Resistance (in. wg)
600	.04
800	.05
1000	.09
1200	.12
1400	.15
1600	.18
1800	.22
2000	.27

NOTE — Standard central system filter is removed and not included in table.

## DIMENSIONS (inches)



\*NOTE — Air flow may be either direction providing that filter is installed with 'Air Flow' arrows in direction of air flow.